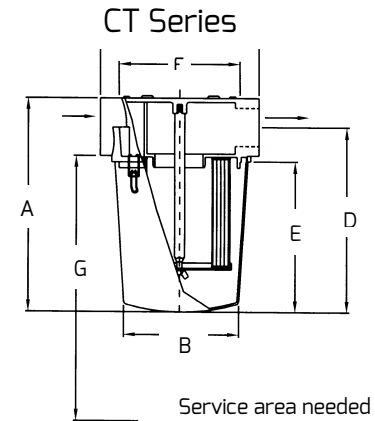
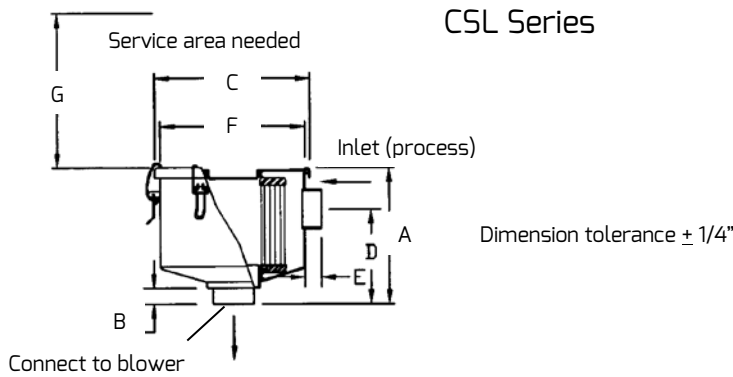




FPZ inline filters are typically used in vacuum applications to prevent debris from entering the blower. Inline filters consist of a metal housing with a metal cover retained by quick - change clamps for easy servicing of the element. Polyester elements are recommended for humid applications.



- ♦ Polyester: 99%+ removal efficiency standard to 5 micron
- ♦ Stainless steel torsion clips for durability
- ♦ Rugged construction with powder coated finish
- ♦ Low pressure drop
- ♦ Positive sealing O-ring seal system
- ♦ Large dirt holding capacity and easy field cleaning, (especially when mounted horizontally or inverted)
- ♦ Fully-drawn one piece canister
- ♦ Filter change out differential: 10"-15" H₂O Over Initial Delta P

- ♦ Various media available
- ♦ Epoxy coated housings
- ♦ Special connections
- ♦ Available in Stainless Steel
- ♦ Activated carbon prefilter to reduce odor
- ♦ Alternate Top-to-canister fastening system for low pressure or pulsating systems

Polyester Element	NPT	DIMENSIONS (Inches)							Used on Models	Approx Wt. Lbs
		A	B	C	D	E	F	G		
CSL-843-050HC	1/2"	4 3/8	9/16	5 7/8	2 1/2	9/16	5	3 1/4	10DL	3
CSL-843-075HC	3/4"	4 3/8	9/16	5 7/8	2 1/2	9/16	5	3 1/4	15DH	3
CSL-843-100HC	1"	4 3/8	3/4	5 7/8	2 1/2	3/4	5	3 1/4	06	3
CSL-843-125HC	1 1/4"	4 3/8	3/4	5 7/8	2 1/2	3/4	5	3 1/4	K03-MS, R20-MD	3
CSL-849-125HC	1 1/4"	6 3/4	3/4	7 5/16	4 1/2	3/4	6 13/16	5 1/4	R30-MD, R40-MD	5
CSL-849-150HC	1 1/2"	6 3/4	3/4	7 5/16	4 1/2	3/4	6 13/16	5 1/4	K04-MS	5
CSL-851-200HC	2"	10 1/4	3/4	8 3/4	5	3/4	7 5/8	9 1/4	K05-MS, K06-MS, K05-TD, K06-TD, K07R-MD, K08R-MD	15
CT-235P-300C	3"	18 13/16	9 7/8	13 1/2	16 4/5	13 1/8	10	14	K05-TS, K06-TS, K07-MS, K08-MS, K07-TD, K08-TD	30
CT-235P-400C	4"	18 13/16	9 7/8	13 1/2	16 4/5	13 1/8	10	14	K09-MS, K10-MS, K09-MD, K10-MD, K11-MD, K12-MD, K09-TD, K10-TD	29
CSL-2541-400I*	4"	16 3/8	3 5/8	13 1/4	9 1/2	3 1/2	12 1/16	8	K07-TS, K08-TS, K11-MS, K12-MS, K11-TD, K12-TD	38
CT-275P-500C	5"	18 1/4	16	19	14 3/8	9 7/8	14 3/4	20	K09-TS, K10-TS	50
CTD-375P-500C	5"	25 3/8	16	19	21 1/2	17	14 3/4	35	K11-TS, K12-TS	60

* Male x male npt connections
 Dimensions for reference only