



SIMPLIFIED FLUID HANDLING

SOUND HOOD - IH

VERSION USA

Characteristics

- Noise reduction 10 dB(A) max
- Integral exhaust fan for blower / motor heat dispersion

Std operating condition

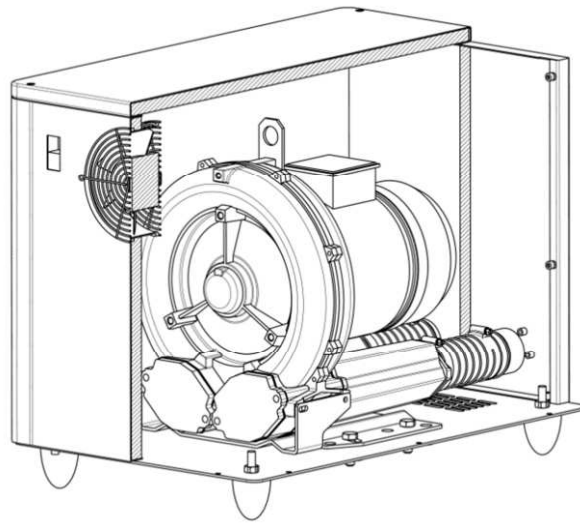
- Altitude less than 3280 ft a.s.l.
- Atmospheric pressure: 29.92 in Hg
- Ambient temperature from +5 °F to +104°F



Technical data

ACCESSORIES FOR REGENERATIVE BLOWERS

COMPANY WITH QUALITY MANAGEMENT
SYSTEM CERTIFIED BY DNV
= ISO 9001:2008 =



Scl performances inside the sound hood IH1 – IH3

Scl	Sound Hood	Installed motor power	Differential pressure
K03-MS	IH1	0.5 hp	See data sheet
		0.75 hp	See data sheet
K04-MS	IH3	1 hp	See data sheet
		1.5 hp	See data sheet
		2 hp	See data sheet

Sound hood characteristics IH1 – IH3

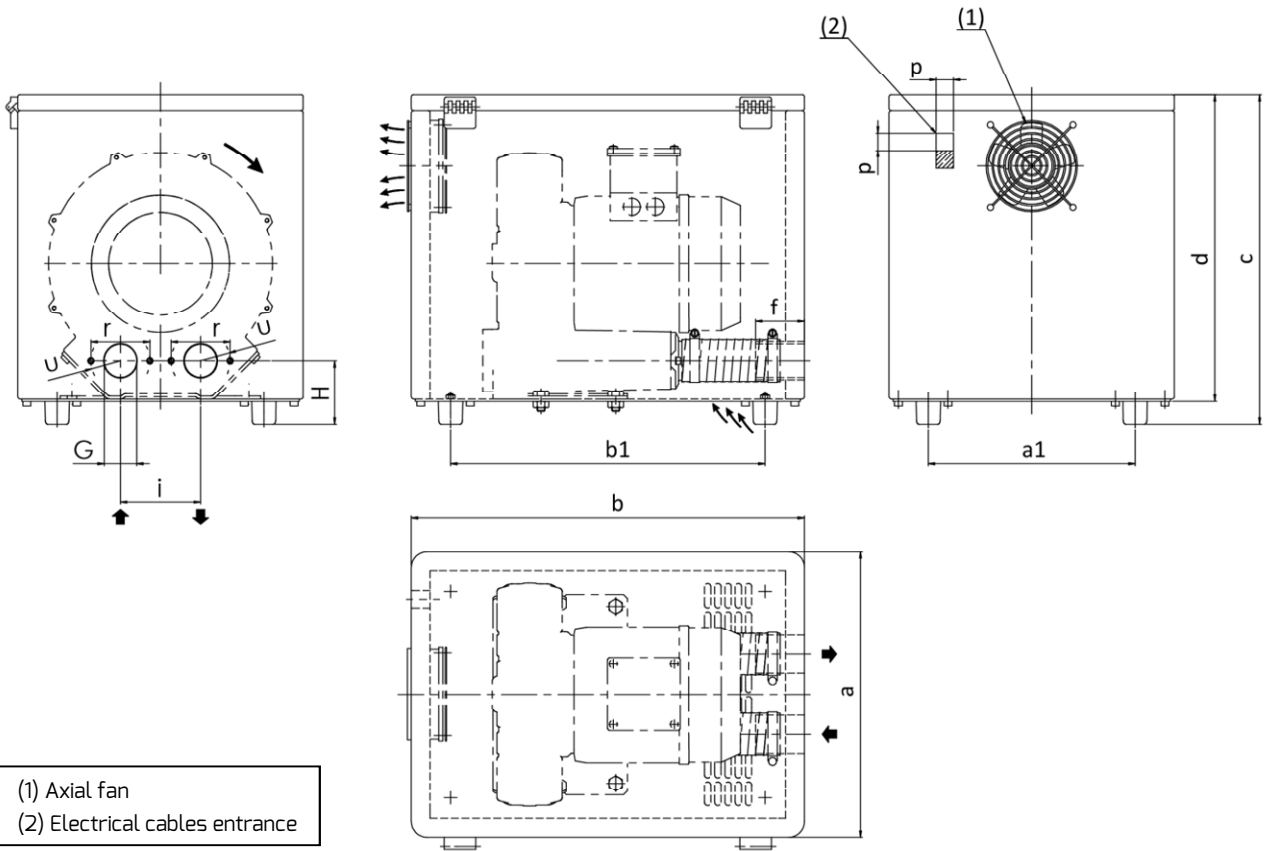
- Noise reduction 10 dB(A) max
- Sheet metal, painted (RAL 9001), internally-lined with sound-absorbing foam panels
- Integral exhaust fan for blower / motor heat dispersion
- Bottom plate slotted for ventilation
- Hood raised and supported using 4 external anti-vibration mounts
- Blower internal mounting kit supplied

Fan motor details (Single phase) IH1 – IH3

Frequency (Hz)	50	60
Power (W)	22	21
Nominal current (A)	0.14	0.13
Voltage (V ±10%)	230	
Phases	1	
Poles	2	
Protection	IP 54	
Mark	CE cURus	

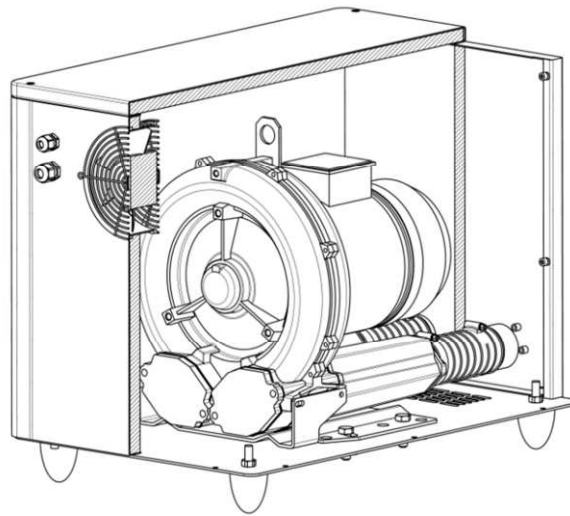


DIMENSIONS (IH1 - IH3)



Dimensions in inches - FOR REFERENCE ONLY

Mod	SCL	Spacer	a	a1	b	b1	c	d	f	G	H	i	p	r	u	lbs
IH1	K03-MS	-	13.38	9.45	18.19	14.25	15.83	14.68	2.24	1.41	2.97	3.38	0.87	2.52	M6	-
IH3	K04-MS	-	14.30	10.35	19.70	15.75	16.50	15.35	2.44	1.61	2.05	4.02	0.87	2.95	M6	-



Scl performances inside the sound hood IH4-IH5

SCL	Sound hood	Installed motor power	Differential pressure
R20-MD	IH4	1.5 hp	See data sheet
K05-MS	IH5	1.5 hp	See data sheet
		2.0 hp	See data sheet
		3.0 hp	See data sheet
		4.0 hp	See data sheet
K06-MS	IH5	3.0 hp	See data sheet
		4.0 hp	See data sheet
		5.5 hp	100 in WG/7.4 in Hg max
30DH-MD	IH5	1.5 hp	See data sheet
		2.0 hp	See data sheet
40DH-MD	IH5	3.0 hp	See data sheet
		4.0 hp	See data sheet

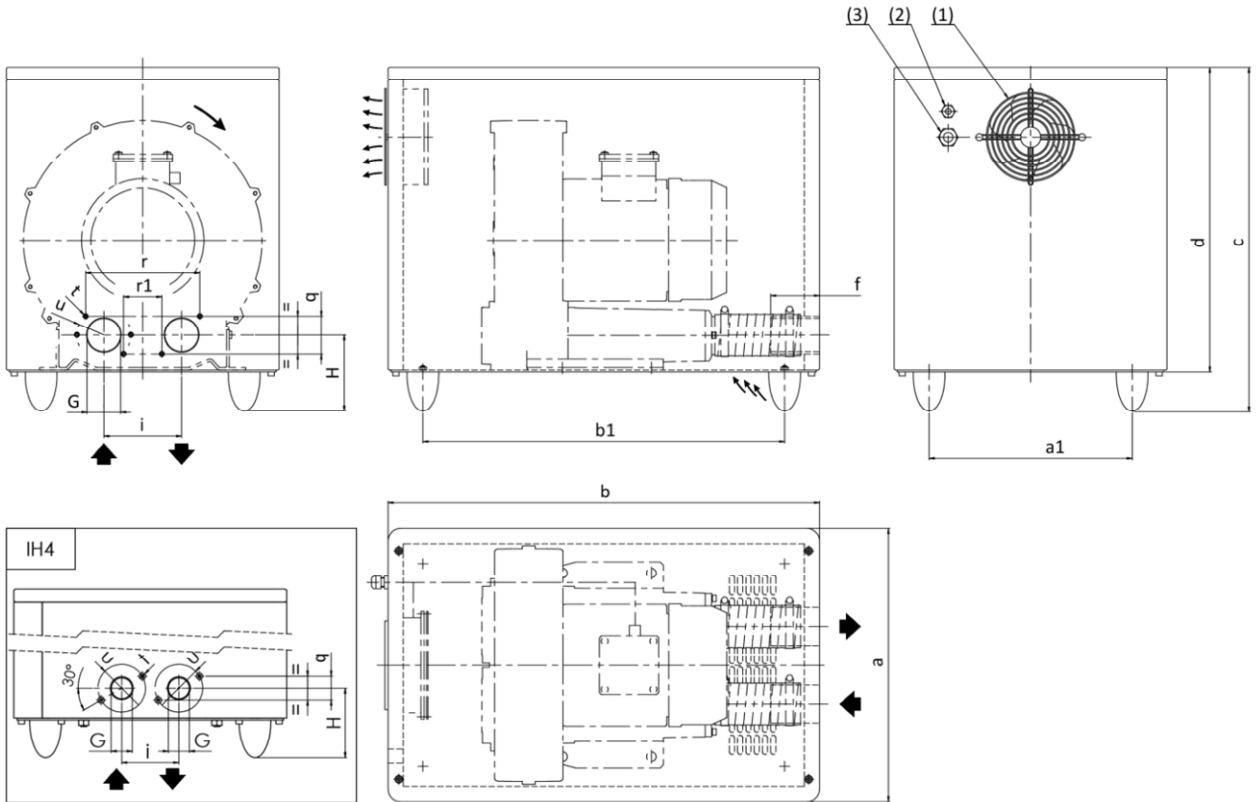
Sound hood characteristics IH4-IH5

- Noise reduction 10 dB(A) max
- Sheet metal, painted (RAL 9001), internally-lined with sound-absorbing foam panels
- Integral exhaust fan for blower / motor heat dispersion
- Bottom plate slotted for ventilation
- Hood raised and supported using 4 external anti-vibration mounts
- Blower internal mounting kit supplied
- Ability to mount blower accessories directly on the hood

Fan motor details (Single phase) IH4-IH5

Frequency (Hz)	50	60
Power (W)	46	44
Nominal current (A)	0.30	0.28
Voltage (V ±10%)	230	
Phases	1	
Poles	2	
Protection	IP 54	
Mark	CE cURus	

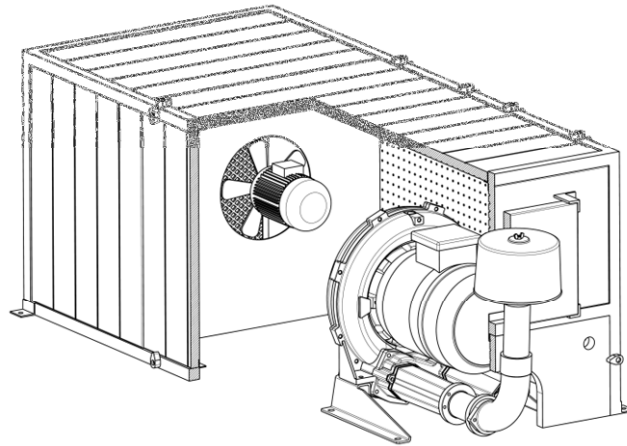
DIMENSIONS (IH4-IH5)



- (1) Axial fan
- (2) Cable entry Axial fan [M16]
- (3) Cable entry SCL [M20]

Dimensions in inches - FOR REFERENCE ONLY

Mod	Tipo SCL	Distanziale	a	a1	b	b1	c	d	f	G	H	i	q	r	r1	t	u	lbs
IH4	R20-MD	-	16.9	12.6	26.8	22.4	21.6	18.9	2.2	1.4	4.7	3.5	1.5	-	-	M6	2.9	-
IH5	K05-MS	-	16.9	12.6	26.8	22.4	21.6	18.9	3.0	2.1	4.7	4.4	2.4	7.1	2.4	M6	3.3	-
IH5	K06-MS	-																
IH5	30DH-MD	-																
IH5	40DH-MD	-																



Scl performances inside the sound hood IH7R-IH7-IH9-IH10-IH13

- Ambient Temperature From +86°F To +104°F
 - Reduce by 10% the max differential pressure from the value stated in the data sheet

Sound hood characteristics IH7R-IH7-IH9-IH10-IH13

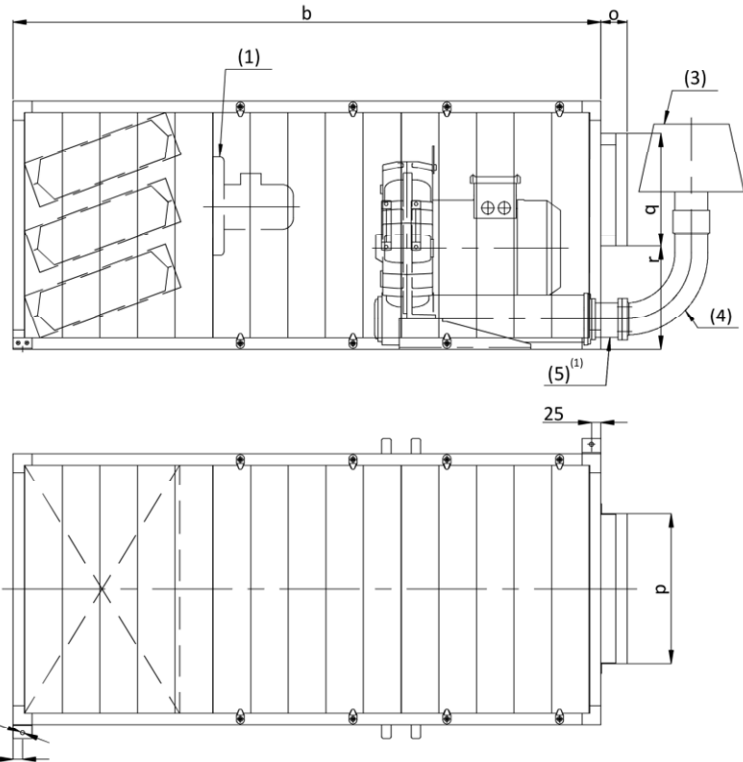
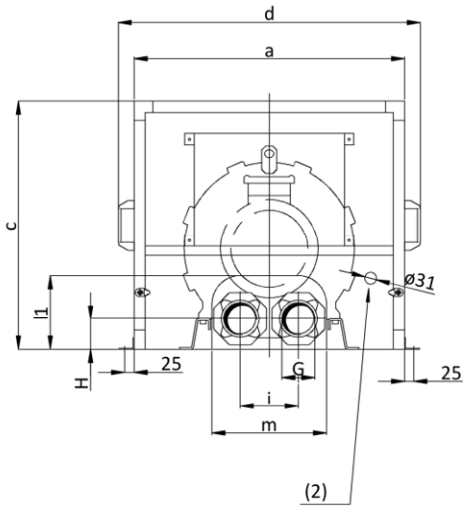
- Noise reduction 10 dB(A) max.
- Support in aluminium blocks
- Removable panels with block-panel system
- Complete with axial fan

Fan motor details IH7R-IH7-IH9-IH10-IH13

Frequency (Hz)	50	60
Power (kW)	0.12	0.12
Voltage (V ±10%)	230/400	275/480
Cos φ	0.71	0.71
Nominal current (A)	0.65/0.37	0.65/0.37
Poles	2	
Protection	IP 55	
Insulation	Class F	



DIMENSIONS (IH7R-IH7-IH9-IH10-IH13)



- (1) Axial fan
- (2) Electrical cables entrance
- (3) FL Accessory
- (4) CA Accessory
- (5) Spacer¹

Dimensions in inches - FOR REFERENCE ONLY

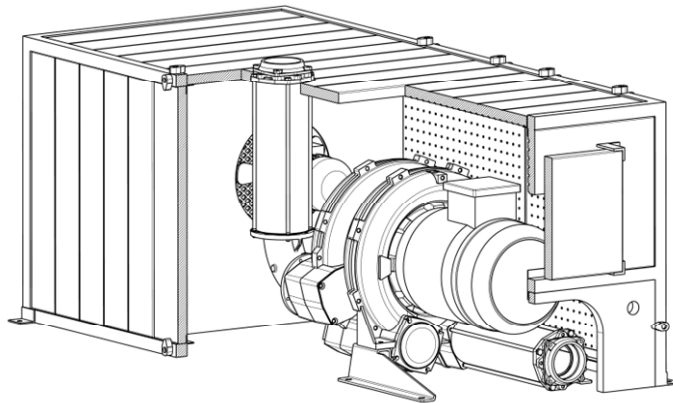
Mod	SCL	Spacer ¹	a	b	c	d	G	H	i	l1	m	o	p	q	r	lbs
IH7R	K07R-MD	1035K0710840	28.35	61.60	26.00	31.70	2"NPT	3.23	6.10	6.30	10.63	2.75	15.75	11.80	11.00	141
	K08R-MD	1035K0710840														
IH7	K07-MS	-														
	K75-MS	-	28.35	61.60	26.00	31.70	3"NPT	3.23	6.10	7.75	12.00	2.75	15.75	11.80	11.00	141
	K08-MS	103520100001 ²														
IH9	K07-TS	-	28.35	61.60	26.00	31.70	4"NPT	3.86	7.16	8.86	14.76	2.75	15.75	11.80	11.00	141
	K08-TS	-														
IH10	K09-MS/MD	-						3.78	7.16							
	K10-MS/MD	-								8.86	14.76	3.54	17.70	15.35	11.00	203
	K11-MS/MD	1035k0970001 ³	28.35	63.60	30.00	31.70	4"NPT									
	K12-MS/MD	1035k0970001 ³						3.58	7.87							
IH13	K09-TS	-							8.27							
	K10-TS	-	28.35	63.60	31.50	31.70	5.12	4.17		10.00	17.32	3.54	17.70	15.35	12.20	207
	K11-TS ⁴	-							9.00							
	K12-TS ⁴	-														

¹ necessary for the use of "FL" filter

² necessary for scl K08-MS with 15Hp motor only

³ necessary for scl K11/K12-MS with 25Hp motor only

⁴ not applicable with 30Hp motor



Scl performances inside the sound hood IH8-IH11-IH12

- Ambient Temperature From +86°F To +104°F
 - Reduce by 10% the max differential pressure from the value stated in the data sheet

Sound hood characteristics IH8-IH11-IH12

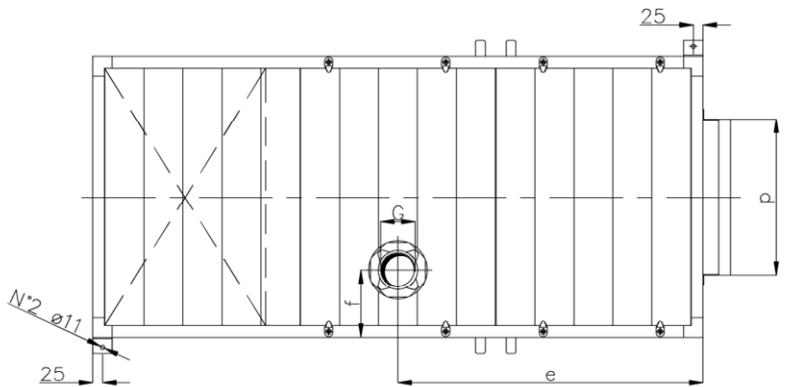
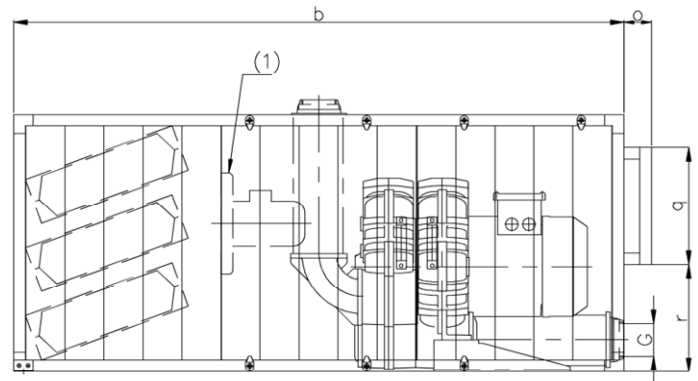
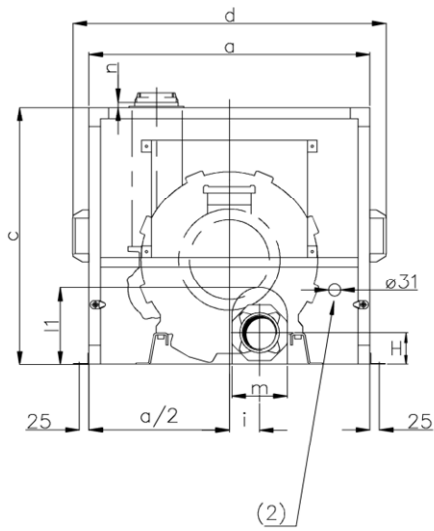
- Noise reduction 10 dB(A) max.
- Support in aluminium blocks
- Removable panels with block-panel system
- Complete with axial fan

Fan motor details IH8-IH11-IH12

Frequency (Hz)	50	60
Power (kW)	0.12	0.12
Voltage (V ±10%)	230/400	275/480
Cos ϕ	0.71	0.71
Nominal current (A)	0.65/0.37	0.65/0.37
Poles	2	
Protection	IP 55	
Insulation	Class F	



DIMENSIONS (IH8-IH11-IH12)



- (1) Axial fan
- (2) Electrical cables entrance

Dimensions in inches - FOR REFERENCE ONLY

Mod	SCL	a	b	c	d	e	f	G	H	i	l1	m	n	o	p	q	R	lbs
IH8	K07-TD	28.35	61.60	26.00	31.70	30.80	6.80	3"NPT	3.23	3.05	7.75	5.90	0.51	2.75	15.75	11.80	11.00	141
	K08-TD																	
IH11	K09-TD	28.35	63.60	30.00	31.70	36.70	5.75	4"NPT	3.78	3.86	8.85	7.00	0.83	3.54	17.70	15.35	11.00	203
	K10-TD																	
IH12	K11-TD	28.35	63.60	30.00	31.70	36.70	5.75	4"NPT	3.58	5.00	8.60	7.00	1.10	3.54	17.70	15.35	11.00	203
	K12-TD																	



FPZ, Inc

Saukville, Wisconsin
USA
usa@fpz.com

FPZ México/LA

Zapopan, Jalisco
México
mexico@fpz.com

FPZ Espana & Portugal

Barcelona
Espana
mila.lozano@fpz.com

FPZ France S.a.r.l.

St. Priest
France
france@fpz.com

HEADQUARTERS

FPZ S.p.A.

Concorezzo (MB)
Italy
info@fpz.com

FPZ UK

Andover, Hampshire
United Kingdom
uk@fpz.com

FPZ Austria & Germany

Krems
Austria
vertrieb@fpz.com