



# ACCESSORIES VK / PK Flange Connectors

SN 2048-3

## VK - FLANGE CONNECTOR FOR VRL VALVES

This VK flange accessory allows direct connection of the VRL relief valves to the cover of the SCL "K" model blowers; either in pressure or vacuum.

Note: VK flanges usable on K-MS and K-TS blowers in vacuum or pressure K-MD useable in vacuum only.

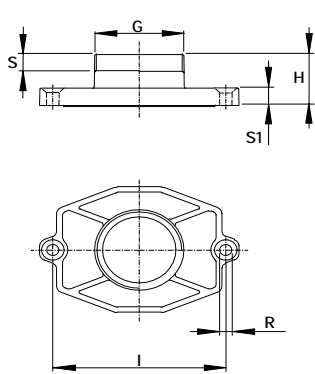


Fig. 1

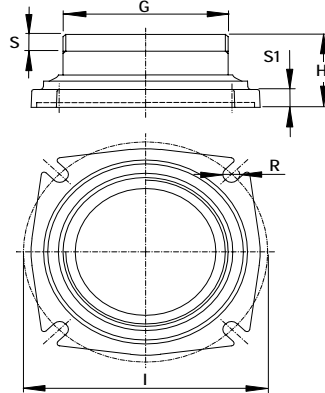
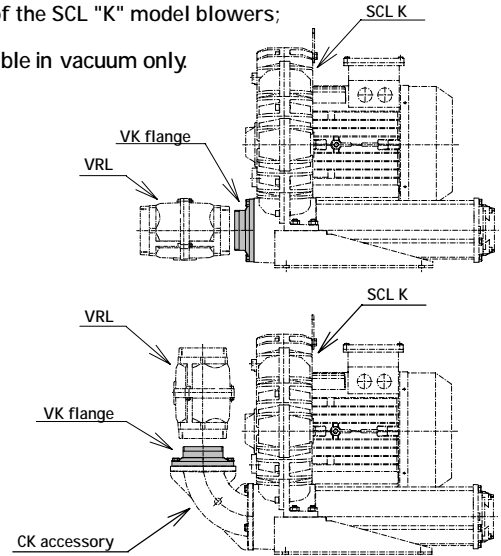


Fig. 2



Dimensions in Inches

Model	DN	G	H	I	R	S	S1	Fig.	Parts List
VK 5	1" 1/2	1" 1/2 NPT	1.18	3.62	0.26	0.59	0.39	1	SP 1552
VK 6	2"	2" NPT	1.97	4.33	0.33	0.75	0.39		SP 1553
VK 6A	2"	2" NPT	2.34	5.12	0.35	0.75	0.43	2	SP 1611
VK 8	3"	3" NPT	1.69	5.12	0.35	0.83	0.43		SP 1554
VK 9	4"	4" NPT	1.81	5.90	0.35	0.90	0.43		SP 1555

## PK - FLANGED TUBE CONNECTOR FOR SCL K

The PK accessory allows connection of the "K" Series blowers directly to the process line without use of the intake or outlet manifolds.

### CHARACTERISTICS

Flange in aluminium alloy with tube stub connection.

Supplied as a kit for mounting (with gasket and screws with wrench), please see the respective Parts List in table.

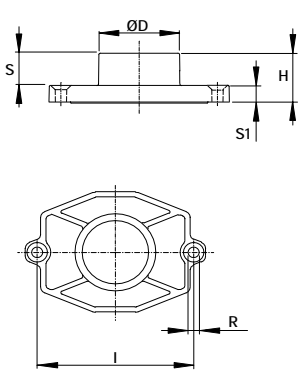


Fig. 1

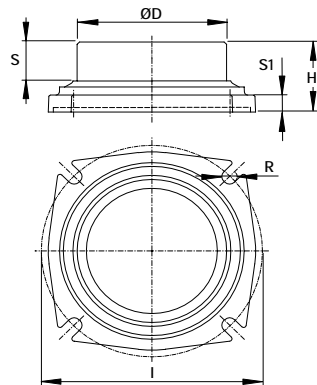


Fig. 1

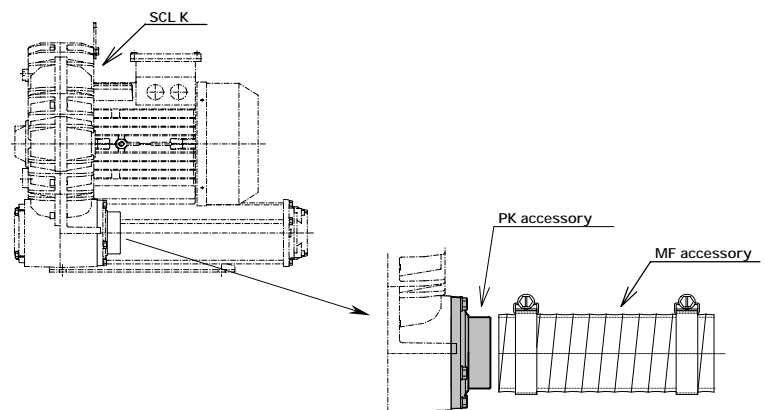


Fig. 2

Dimensions in Inches

Model	DN	D	H	I	R	S	S1	Fig.	Parts List
PK 5	1" 1/2	1.89	1.18	3.62	0.26	0.79	0.39	1	SP 1543
PK 6	2"	2.36	1.97	4.33	0.33	1.38	0.39		SP 1544
PK 6A	2"	2.36	2.34	5.12	0.35	1.38	0.43	2	SP 1609
PK 8	3"	3.46	1.69	5.12	0.35	0.94	0.43		SP 1545
PK 9	4"	4.48	1.81	5.90	0.35	1.06	0.43		SP 1546

Note: PK flanges usable on K-MS, K-TS, K-TD blowers in vacuum or pressure K-MD useable in vacuum only.