

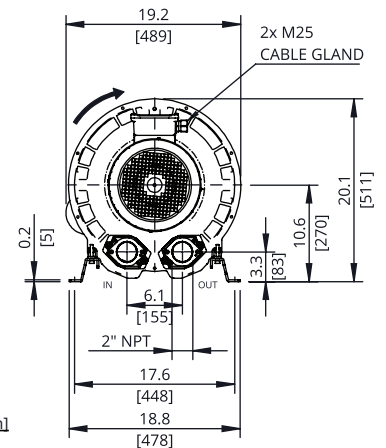
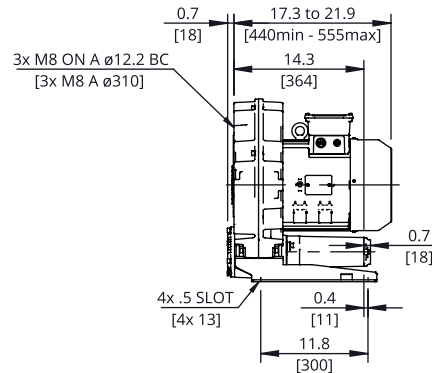


**Evolution Series
Technical Characteristics**

- Premium efficient motor
- High efficiency impeller
- Mountable in any position
- Maintenance free operation
- TEFC (IP55)

Optional Features

- Anodized aluminum components for corrosion resistance
- Increased sealing



Dimensions in inches [mm]

Technical Specifications

Model No.	HP	Hz	Open Flow (cfm)	Max Pressure in. H ₂ O	Max Vacuum in. H ₂ O	Efficiency	Voltage	FLA	Starting Current Ratio ¹	dB(A) ²	Weight (lb)
SCL e08-MD-5.5-3	5.5	60	177	60	90	88.5%	208-230/460	14.6-15.1/7.55	11.1	78	145.5
		50	150	140	150	88.1%	200/400	17.7/8.86		73	
SCL e08-MD-5.5-3-575	5.5	60	177	60	90	88.5%	575	5.31	10.9	78	145.5
SCL e08-MD-7.5-3	7.5	60	177	140	160	89.5%	208-230/460	19.8-19.5/9.75	13.7	78	182.5
		50	150	200	180	89.2%	200/400	22.2/11.1		73	
SCL e08-MD-7.5-3-575	7.5	60	177	140	160	89.5%	575	7.21	13.5	78	182.5
SCL e08-MD-10-3	10	60	177	200	180	90.2%	208-230/460	26.1-25 / 12.5	13	78	196.2
		50	150	260	—	90.1%	200/400	28.6/14.3		73	
SCL e08-MD-10-3-575	10	60	177	200	180	90.2%	575	10	12.9	78	196.2
SCL e08-MD-15-3	15	60	177	260	—	91.0%	208-230/460	38.2-37.3/18.7	12.5	78	211.6
		50	150	—	—	91.0%	200/400	43.4 / 21.7		73	
SCL e08-MD-15-3-575	15	60	177	260	—	91.0%	575	13.9	11	78	211.6

Motors include normally closed thermal protector, 1.15 S.F. (60 Hz), tropicalized windings, Class F (B) insulation, and are suitable for use with a VFD (Contact FPZ for pneumatic and speed limits when used with a VFD).

¹Starting current ratio x fla = starting current

²Noise level measured at a distance of 1 m with inlet and outlet ports piped in accordance to ISO 3744

Data is subject to change without notice.

Recommended Accessories

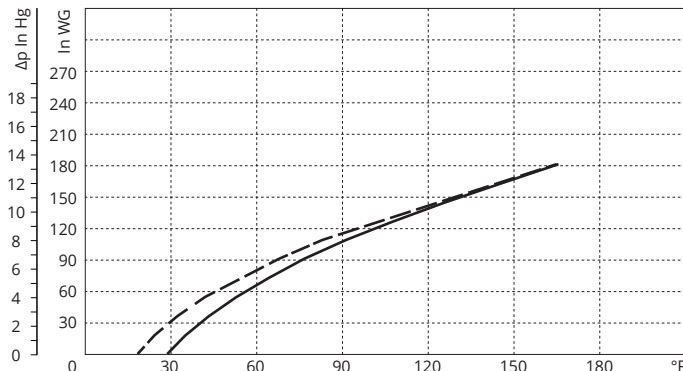
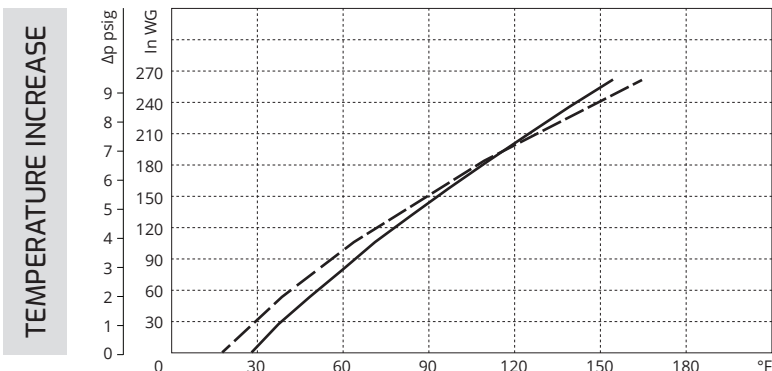
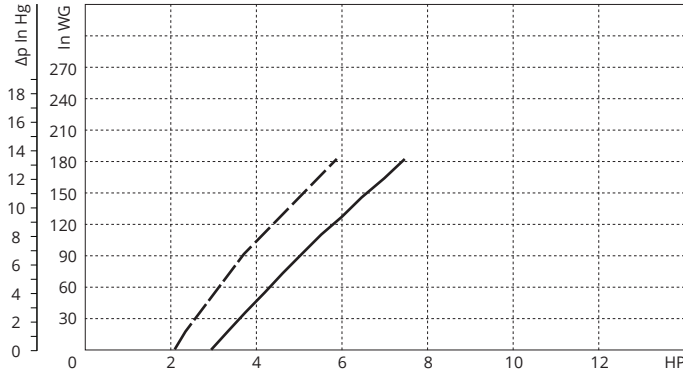
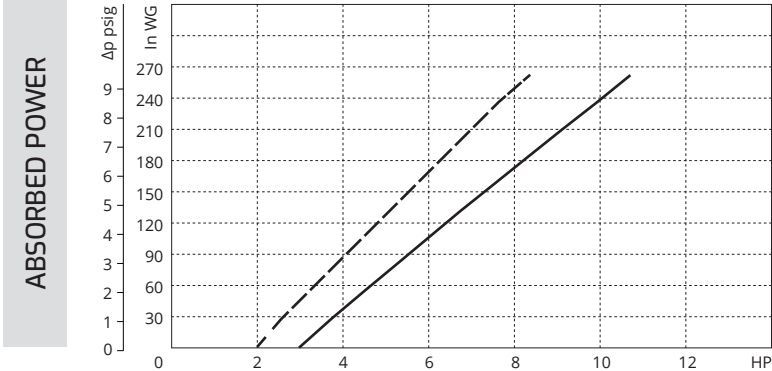
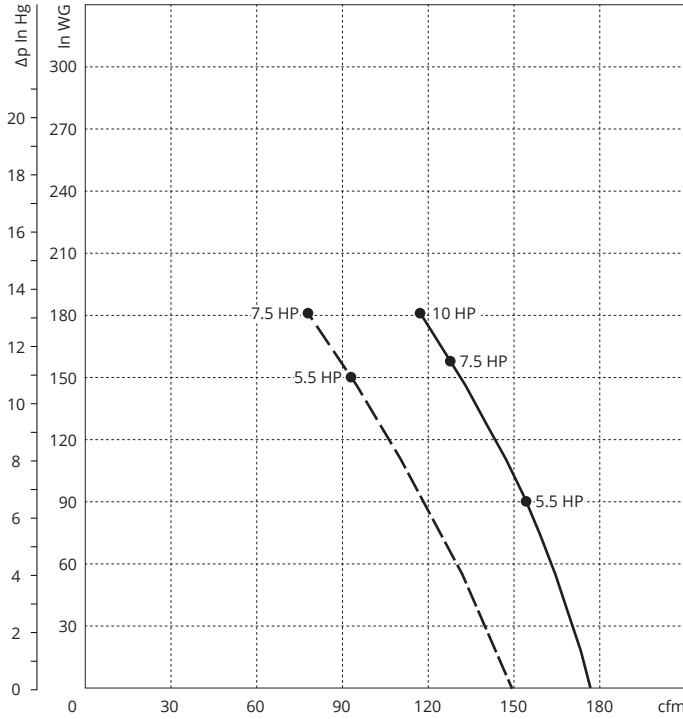
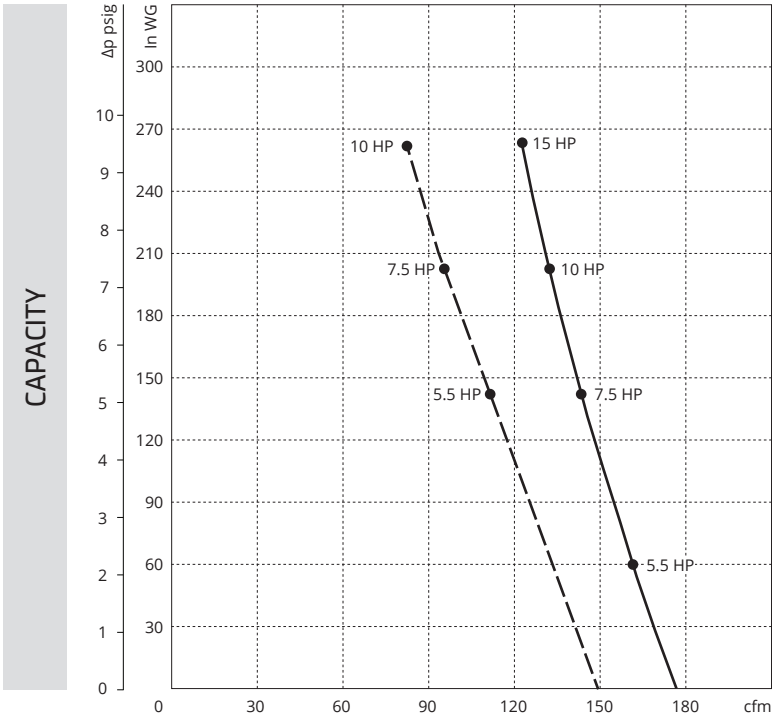
Description	Pressure Safety Valve	Vacuum Safety Valve	Pressure Filter	Vacuum Filter	Check Valve
Part Number	VRL6 (5.5 hp - 10 hp) ³ VRL6-HP (15 hp) ³	VRL6	FS-231P-300	CT-235P-300C	CV30

³Valve selections are based on 60 Hz and standard air. Valves are supplied uncalibrated. Safety valves are easy to calibrate, but can be ordered with factory calibration.



PRESSURE

VACUUM



Curves refer to air at 68°F temperature and 29.92 In Hg atmospheric pressure (abs) measured at inlet port. Values for flow, power consumption and temperature rise: +/-10% tolerance. Data subject to change without notice.

KEY --- 50 Hz
 — 60 Hz