

## INSTRUCTIONS

**GB**

READ ALL THESE INSTRUCTIONS CAREFULLY AND KEEP THEM HANDY

MI\_SC9-10\_IT\_22-00

### WARNING!



for all machinery and equipment with moving or live parts, these units may be the source of serious danger if not used and/or protected correctly.



The user is responsible for ensuring that:

All transportation, assembly, installation, connecting up, maintenance, and repair operations are carried out by qualified personnel, that is, personnel whose training, instruction, experience, knowledge of standards, regulations, accident prevention procedures, and operating and service conditions, makes them capable of carrying out all the works necessary, while being aware of and avoiding any possible danger and/or damage.

These persons are to know all the relevant instructions and information, including any local regulations, and that these are to be complied with when carrying out any operation.

Personnel that are not qualified are forbidden to carry out any operation, albeit indirect, on the machine and equipment.

During installation all the prescribed prevention measures are to be complied with, including any local and/or specific regulations, and the unit is not to be put into service until the machines that it incorporates have been declared to conform to the EC Machinery Directive.

## 1. WORKING CONDITIONS

These soundproof cabins are suitable for continuous service in a non-explosive atmosphere.

The ambient temperature limits are -15 to +40°C.

**OPERATION OF THE BLOWER, INSTALLED INSIDE THE SOUNDPROOF CABIN MUST BE STRICTLY AVOIDED WHEN THE ELECTRIC FAN IS OFF.**

## 2. STORAGE – TRANSPORT

Store in a dry place. Do not put loads on the cabin.

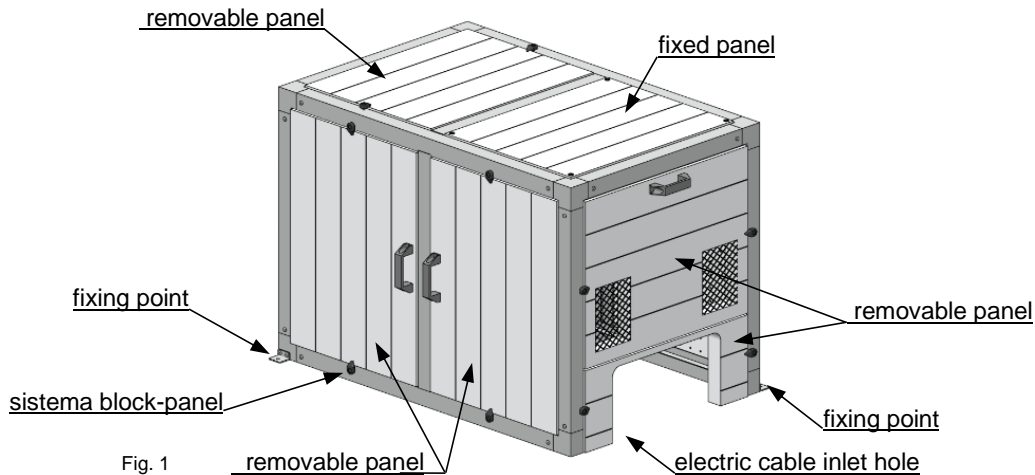
Handle with care, avoiding impacts, jolting, and shaking.

Movements (lifting, moving, transporting, and putting down) must be done using suitable equipment as far as possible. The work is to be organised in such a way that it poses the smallest risk possible and is done under safe, healthy, conditions. For example:

- Personnel involved that have specific skills and adequate training.
- Safe, stable support position.
- Use of suitable working clothes and personal protective equipment.
- Work area with sufficient space, even floors, no obstructions.

### 3. SOUNDPROOF CABIN CHARACTERISTICS

- Complete with electric fan for extracting hot air.
- Aluminium structure and galvanised steel panels painted an RAL 7035 colour, finished internally with fireproof soundproofing fabric.
- Panels removable using the block-panel system, complete with a specific handle that makes the panels easy to remove and handle.
- Depending on the blower, suitable panels are used to allow the blower's intake and outlet to be connected to the plant.
- The soundproof cabin has n° 2 points for fixing it to the floor (see Fig 1).



### 4. INSTALLATION / ASSEMBLY

#### WARNINGS!

It is important that this installation be done:

- In a well-ventilated, covered area in which the ambient temperature does not exceed 40°C
- Do not install the soundproof cabins on structures that can transmit or amplify noise (tanks, steel plating, etc.).



**WARNING: BEFORE DOING ANYTHING ELSE, MAKE SURE THAT THE POWER SUPPLY IS NOT SWITCHED ON.**

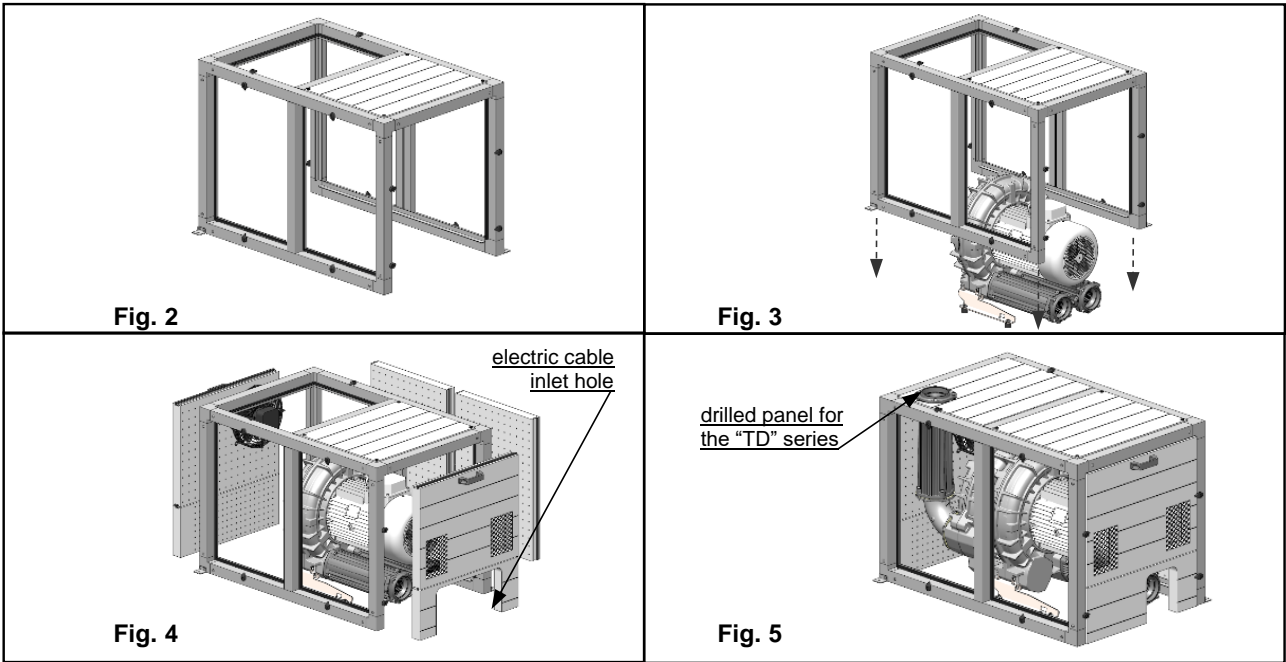
#### 4.1 INSTALLING THE BLOWER

The blower must be fixed to the floor with the axis in a horizontal position. For further details and steps, see the instruction leaflet for the blower.

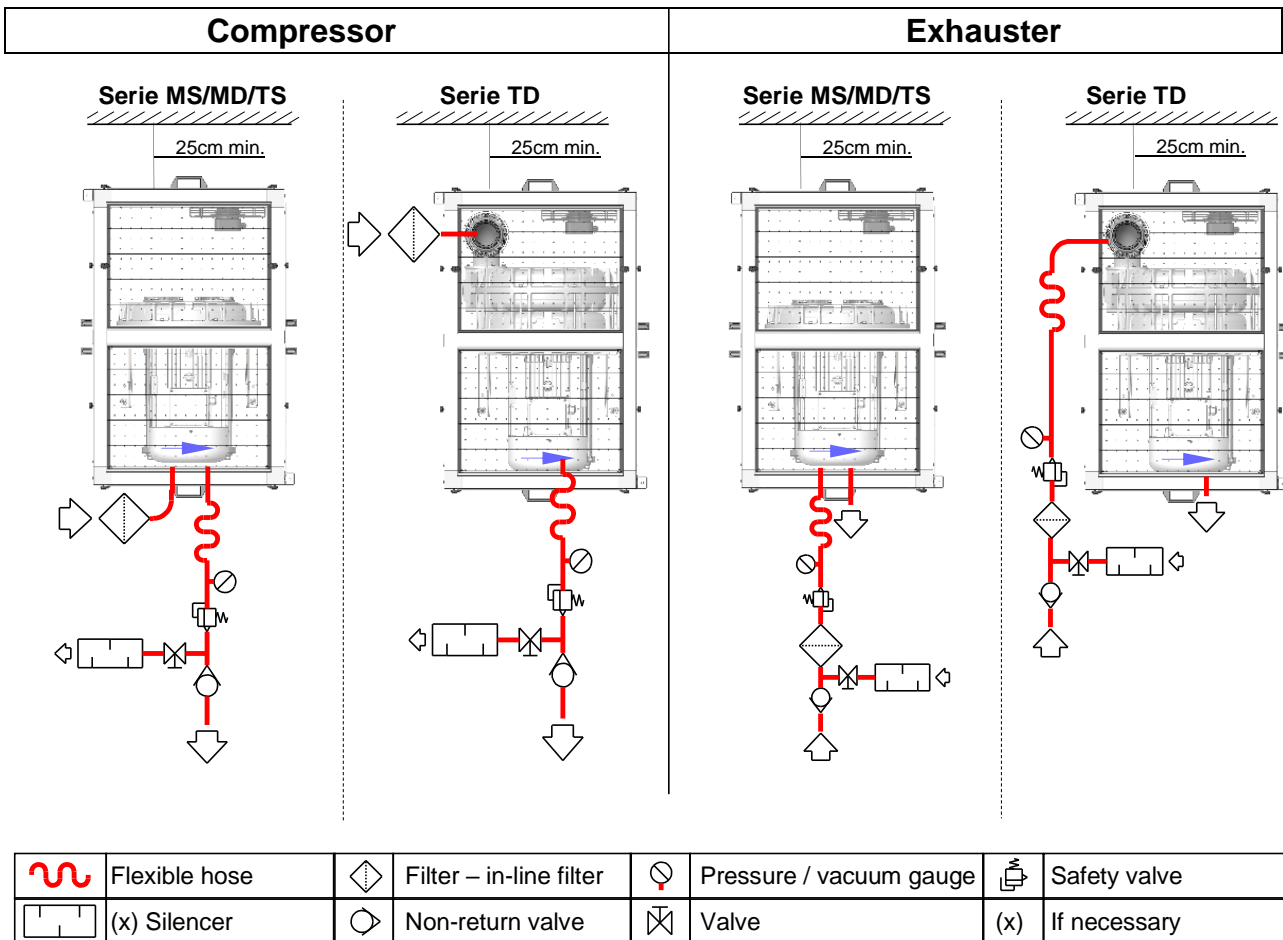
#### 4.2 INSTALLING THE SOUNDPROOF CABIN

Proceed as follows:

- 4.2.1. Remove all the "removable" panels to facilitate installation and to allow a complete view of the blower already installed, by releasing the block-panel handgrip using a CH5 Allen key and rotating it through 90°. The cabin must be as shown in Fig. 2.
- 4.2.2. Lift the soundproof cabin via the perimeter structure and lower it onto the floor so that the blower is located inside (see Fig. 3).
- 4.2.3. Install and fix the panel that has the hole in it to allow the electric cables to enter (31 mm Ø), using the relevant block-panel devices with a CH5 Allen key (see Fig. 4).
- 4.2.4. Form the electrical connection for the electric fan, feeding the power supply cable into the soundproof cabin via the front hole. This connection must be formed as shown in the wiring diagram contained in the terminal board box. Connect the earth cable to the relevant terminal and check the dispersion capacity. The fan is powered by a mono-phase electric motor - 220/240V-50Hz. Check that the details on the nameplate are compatible with the line voltage and frequency. A voltage tolerance of ±10% compared to the nominal value is admissible.
- 4.2.5. Form the connection for the blower's electric fan, feeding the power supply cable into the soundproof cabin via the front hole.
- 4.2.6. Install and fix the remaining panels using a CH5 Allen key and starting from the upper panels. If a "TD" type blower is used, start with the panel with a hole in it (see Fig. 5).
- 4.2.7. Fix the soundproof cabin to the floor using the relevant points (N° 2 holes 11mm Ø) if necessary.



### 4.3 INSTALLATION LAYOUTS



## 5. REMOVING THE SOUNDPROOF CABIN

If it should be necessary to remove the blower from the soundproof cabin, proceed as follows:

- Remove the side panels fitted with handgrips using the Block-panel devices and a CH5 Allen key.
- Remove the power supply cables for the electric fan and remove them from the soundproof cabin.
- Remove the power supply cables for the blower motor and remove them from the soundproof cabin.
- If installed, remove the n° 2 fixing points for attaching the soundproof cabin to the floor.
- Lift the cabin perpendicularly to avoid knocking the blower.

## 6. SAFETY CHECKS

Before starting the blower inside the soundproof cabin:

- Switch the electric fan on and check the direction of rotation, making sure that the air is extracted from the cabin, and use an ammeter to check the data shown on the motor's nameplate.
- Check that the blower is correctly fixed to the floor.

## 7. STARTING UP AND SETTING

Comply with the indications given in the blower's instruction leaflet.

## 8. MAINTENANCE

All maintenance, installation and handling tasks on the soundproof cabin must be done with the blower switched off and the power supply disconnected.

For maintenance of the blower, see the instruction leaflet supplied with this unit.

---

**All undertakings, agreements, or legal relations are governed by the relevant sales contract. These are in no way limited by the contents of this manual. The quality of the materials and workmanship is guaranteed, as indicated in the general sales conditions. This guarantee shall become null and void due in relation to: damage suffered in transit, poor preservation, problems related to incorrect assembly, unskilled use, exceeding the performance limits, or excessive mechanical and/or electrical loading.**