

Metering pumps Model B

Doseuro models B are used in the most severe duty applications. Hydraulic Diaphragm pumps are the best solution when:

PUMPED LIQUID CONTAINS SMALL AMOUNTS OF SUSPENDED SOLID

DOSED MEDIUM IS TOXIC, CORROSIVE, HAZARDOUS

LEAKAGE IS NOT ACCEPTABLE

HIGH PRESSURE IS NOT REQUIRED



Applications

Injection of chemicals as coagulant, fertilizer, acids, polymers, oxygen scavenger, amine and much more.

Commonly used in the following applications::

- Fertigation
- Water treatment
- Paper industry
- Chemical industry
- Food industry
- Cooling towers
- Power plants

Features

- Simplex and multi-head versions are available.
 - NPT valve connections are standard. BSP or other connections are available upon request.
 - Cathaphoresis painting for gearbox.
 - Endless screw worm gear box supported by bearings and fully lubricated in an oil bath.
 - Fitted as standard with high quality 4 pole electric motor that conform to UL;CSA;UNEL-MEC specifications, and range from 1/4 – 1 HP. Standard 3 phase voltages are 208-230/460V -60Hz. Standard 1 phase voltages are 115/208-230V-60Hz.
- Motors are available to meet a wide range of alternative specifications including: IEEE841, IEEE45, Explosion proof; different voltages, frequencies, higher insulation standards and more.
- Stroke adjustment can be made with the pump at rest or in operation and it can be manual or an automatic actuator can be driven by a 4-20 mA; different BUS; pneumatically.
 - Components in wetted areas are available in a wide range of materials suitable for chemical injection applications.
 - PTFE coated diaphragm.

General specifications

Pump model	Reducer ratio	SPM	Capacity (gph)	Max pressure (PSIg)				Connection	Nominal diaphragm Ø (inch)
				Metal		Plastic			
				1/4 HP	1/3 HP	1/4 HP	1/3 HP		
B125U-8	F	70	0.48						
	C	116	0.76	290		145		1/2" NPT male	2"
	B	139	0.95						
B125U-12	I	42	0.85						
	F	70	1.43	290		145		1/2" NPT male	2"
	C	116	2.35						
B125U-18	B	139	2.85						
	I	42	2.09						
	F	70	3.49	290		145		1/2" NPT male	2"
B125U-25	C	116	5.71						
	B	139	6.97						
	I	42	3.99						
B125U-25	F	70	6.66	290		145		1/2" NPT male	2" 3/4
	C	116	10.78						
	B	139	13.31						
B125U-30	I	42	5.71						
	F	70	9.51	189	290	145		1/2" NPT male	2" 3/4
	C	116	15.53						
B125U-40	B	139	19.02						
	I	42	10.30						
	F	70	17.17	116	191	116	145	1/2" NPT male	3 1/2"
B125U-40	C	116	28.21						
	B	139	34.24						

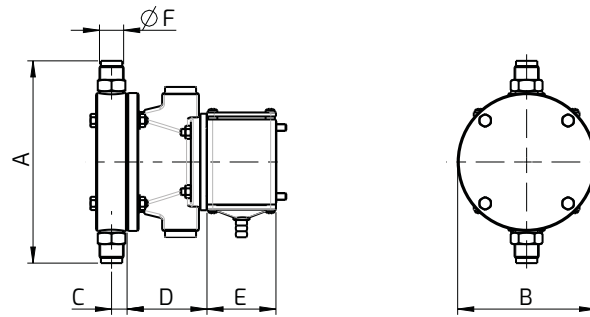
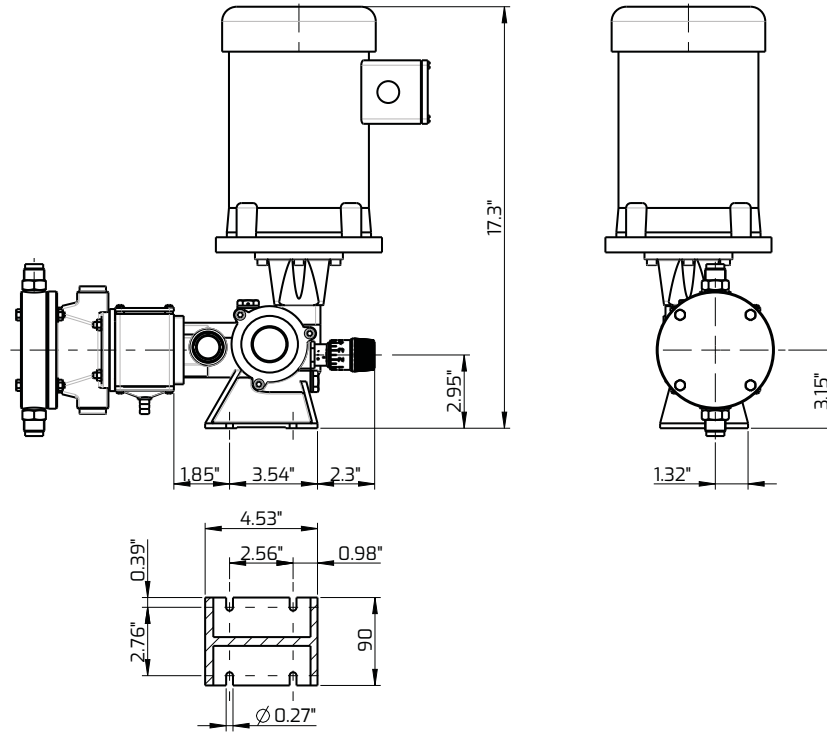
Pump model	Reducer ratio	SPM	Capacity (gph)	Max pressure (PSIg)				Connection	Nominal diaphragm Ø (inch)
				Metal		Plastic			
				1/3 HP	1/2 HP	1/3 HP	1/2 HP		
B175U-8	F	84	0.82					1/2" NPT male	2"
	C	116	1.11	290		145			
	B	144	1.39						
B175U-12	F	84	2.41					1/2" NPT male	2"
	C	116	3.28	290		145			
	B	144	4.12						
B175U-18	F	84	5.71					1/2" NPT male	2 3/4"
	C	116	7.61	290		145			
	B	144	10.14						
B175U-25	F	84	11.41					1/2" NPT male	2 3/4"
	C	116	15.53	290		145			
	B	144	19.34						
B175U-30	F	84	16.17					1/2" NPT male	2 3/4"
	C	116	21.87	290		145			
	B	144	27.90						
B175U-40	F	84	29.16					1/2" NPT male	3 1/2"
	C	116	39.94	174	290	145			
	B	144	50.09						
B175U-50	F	84	45.65					3/4" NPT male	4 3/4"
	C	116	62.45	109	160	109	145		
	B	144	78.30						
B175U-55	F	84	55.16					3/4" NPT male	4 3/4"
	C	116	75.45	91	160	91	145		
	B	144	94.78						
B175U-65	F	84	77.03					3/4" NPT male	4 3/4"
	C	116	105.56	65	113	65	113		
	B	144	132.51						

Pump model	Reducer ratio	SPM	Capacity (gph)	Max pressure (PSI _g)				Connection	Nominal diaphragm Ø (inch)
				Metal		Plastic			
				¾ HP	1 HP	¾ HP	1 HP		
B250U-40	F	67	33.29						
	C	116	57.06		160		145	¾" NPT male	4 ¾"
	B	134	66.57						
B250U-50	F	67	52.31						
	C	116	89.29		160		145	¾" NPT male	4 ¾"
	B	134	104.61						
B250U-55	F	67	63.40						
	C	116	108.31		160		145	¾" NPT male	4 ¾"
	B	134	126.80						
B250U-65	F	67	88.13						
	C	116	150.90		131		131	1" NPT male	6 1/3"
	B	134	176.26						
B250U-75	F	67	117.61						
	C	116	201.62	96	126	96	126	1" NPT male	6 1/3"
	B	134	235.22						
B250U-90	F	67	169.28						
	C	116	290.06	68	90	68	90	1" NPT male	6 1/3"
	B	134	338.56						

Wetted parts code for standard materials

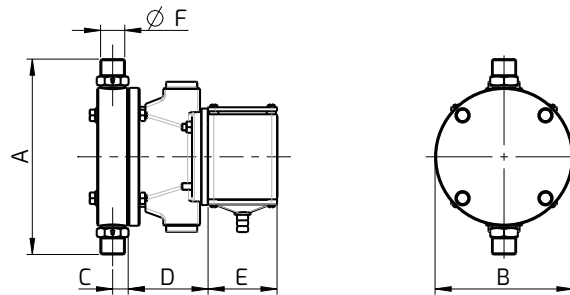
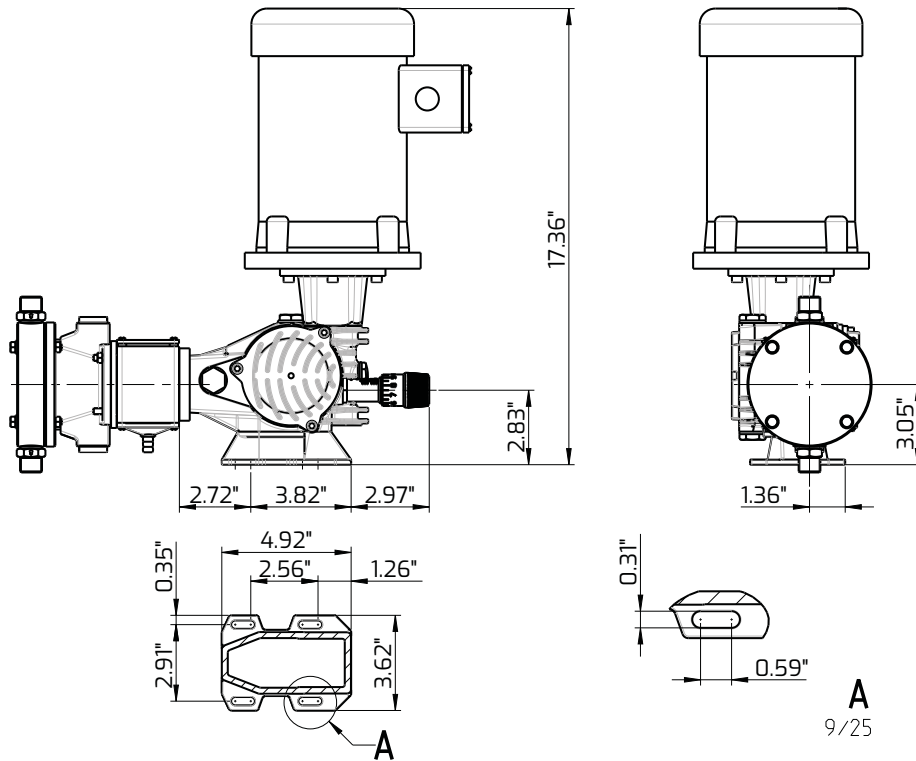
Standard construction materials (wetted parts only)					
Material codes	Pump head	Diaphragm	Valve ball	Valve seat	Valve gasket
41	S.S.316L	PTFE	S.S.316L	S.S.316L	FPM
43	PVC	PTFE	Pyrex	PVC	FPM
20	PP	PTFE	Pyrex	PP	FPM
38	PVDF	PTFE	Pyrex	PVDF	FPM

B125U



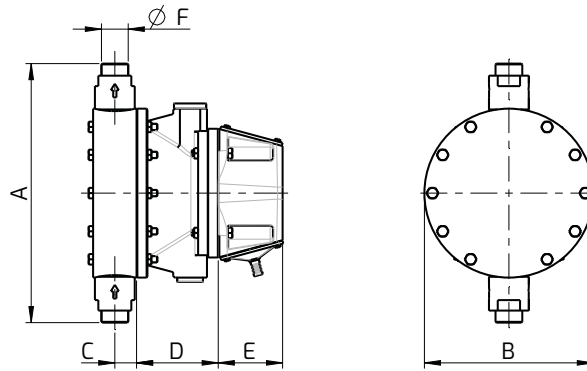
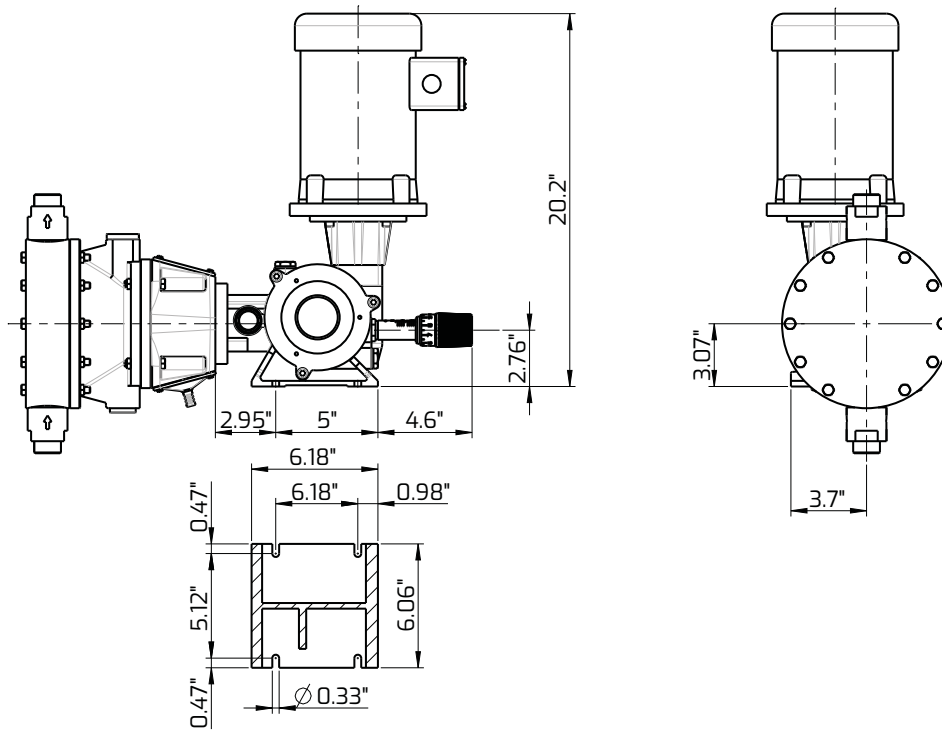
Pump model	Stainless Steel Configuration							Plastic Configuration						
	A	B	C	D	E	øF	lb	A	B	C	D	E	øF	lb
B 125U-08	6.14"	3.94"	0.53"	2.74"	2.36"	1/2" NPT	29	4.33"	4.33"	0.69"	2.74"	2.36"	1/2" NPT	25.7
B 125U-12	6.14"	3.94"	0.53"	2.74"	2.36"	1/2" NPT	29	4.33"	4.33"	0.69"	2.74"	2.36"	1/2" NPT	25.7
B 125U-18	6.14"	3.94"	0.53"	2.74"	2.36"	1/2" NPT	29	4.33"	4.33"	0.69"	2.74"	2.36"	1/2" NPT	25.7
B 125U-25	6.69"	4.72"	0.53"	2.74"	2.36"	1/2" NPT	31.2	5.12"	5.12"	0.69"	2.74"	2.36"	1/2" NPT	26
B 125U-30	6.69"	4.72"	0.53"	2.74"	2.36"	1/2" NPT	31.2	5.12"	5.12"	0.79"	2.74"	2.36"	1/2" NPT	26
B 125U-40	7.09"	5.12"	0.53"	2.74"	2.36"	1/2" NPT	32.3	5.51"	5.51"	0.79"	2.74"	2.36"	1/2" NPT	26.8

B175U

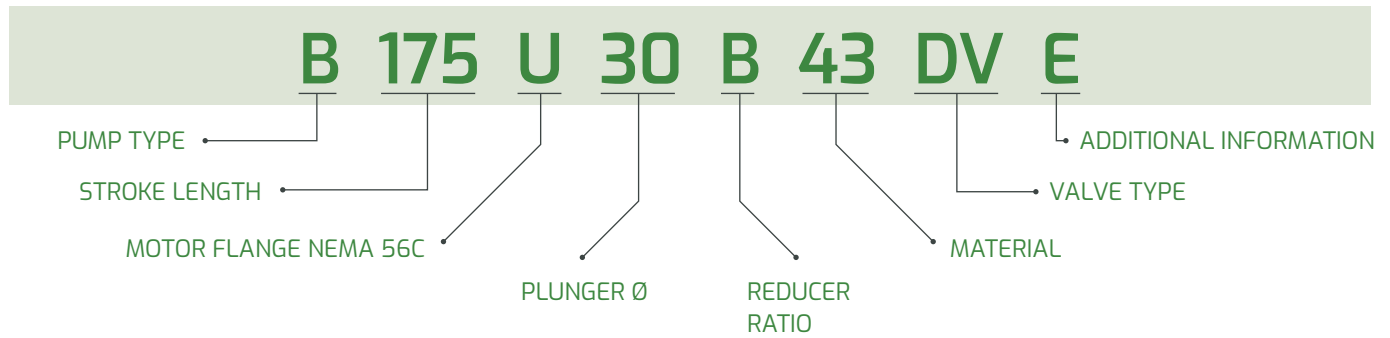


Pump model	Stainless Steel Configuration							Plastic Configuration						
	A	B	C	D	E	$\varnothing F$	lb	A	B	C	D	E	$\varnothing F$	lb
B 175U-08	6.14"	3.94"	0.53"	2.74"	2.36"	1/2" NPT	31.2	7"	4.33"	0.69"	2.73"	2.36"	1/2" NPT	29
B 175U-12	6.14"	3.94"	0.53"	2.74"	2.36"	1/2" NPT	31.2	7"	4.33"	0.69"	2.73"	2.36"	1/2" NPT	29
B 175U-18	6.93"	4.72"	0.53"	2.74"	2.36"	1/2" NPT	34.6	7.79"	5.12"	0.69"	2.73"	2.36"	1/2" NPT	31.2
B 175U-25	6.93"	4.72"	0.53"	2.74"	2.36"	1/2" NPT	34.6	7.79"	5.12"	0.69"	2.73"	2.36"	1/2" NPT	31.2
B 175U-30	6.93"	4.72"	0.53"	2.74"	2.36"	1/2" NPT	34.6	7.79"	5.12"	0.69"	2.73"	2.36"	1/2" NPT	31.2
B 175U-40	7.09"	5.12"	0.53"	2.74"	2.36"	1/2" NPT	35.6	9.53"	5.51"	0.78"	2.73"	2.36"	1/2" NPT	31.2
B 175U-50	7.09"	6.69"	0.83"	2.93"	3.15"	3/4" NPT	47.8	9.65"	7.09"	0.90"	2.92"	2.36"	3/4" NPT	36.8
B 175U-55	9.05"	6.69"	0.83"	3.15"	3.15"	3/4" NPT	51.1	9.65"	7.09"	0.90"	3.17"	2.36"	3/4" NPT	40.1
B 175U-65	9.05"	6.69"	0.83"	3.33"	3.15"	3/4" NPT	51.1	9.65"	7.09"	0.90"	3.33"	2.36"	3/4" NPT	40.1

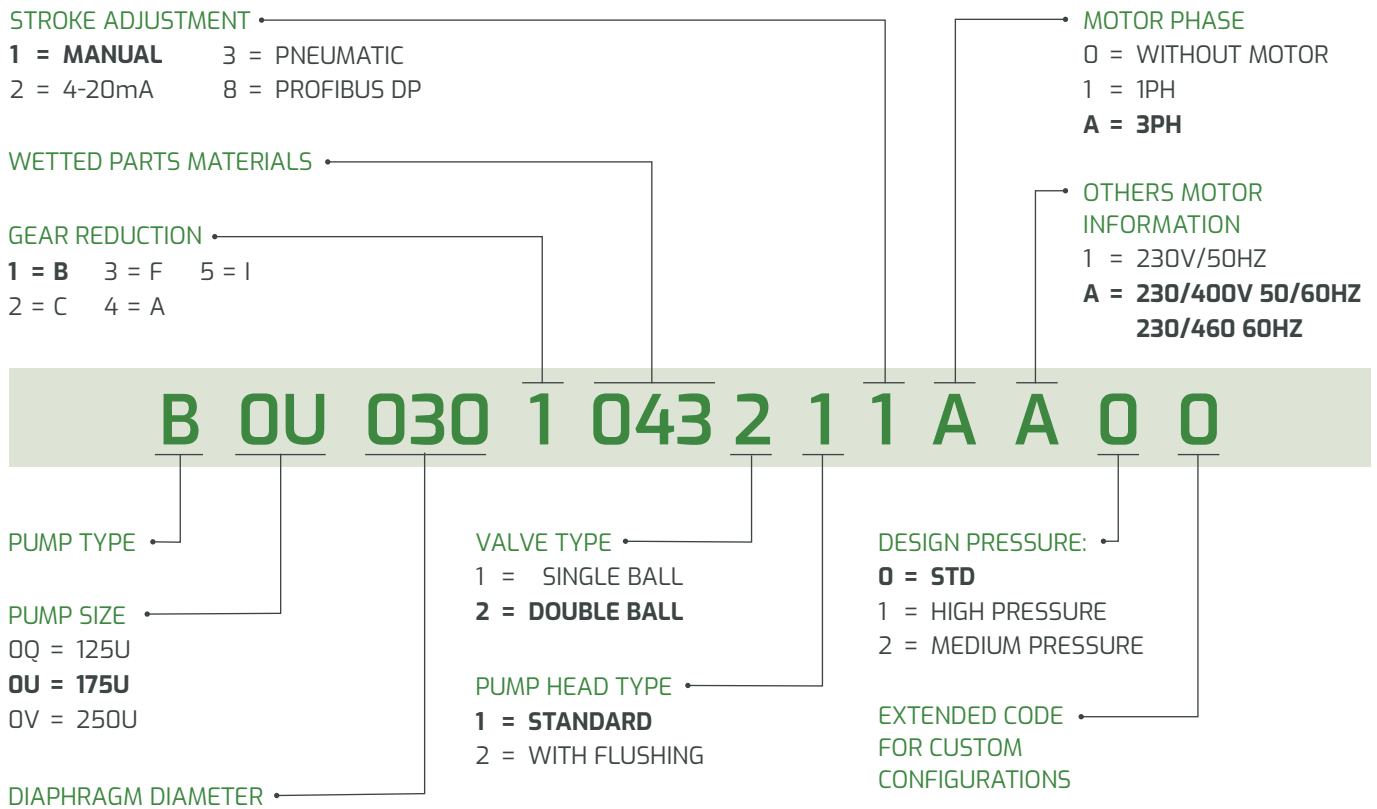
B250U



Pump model	Stainless Steel Configuration							Plastic Configuration						
	A	B	C	D	E	$\varnothing F$	lb	A	B	C	D	E	$\varnothing F$	lb
B 250U-40	9.05"	6.69"	0.83"	2.93"	3.15"	3/4" NPT	77.3	9.65"	7.09"	0.9"	2.93"	3.15"	3/4" NPT	66.3
B 250U-50	9.05"	6.69"	0.83"	2.93"	3.15"	3/4" NPT	78.4	9.65"	7.09"	0.9"	2.93"	3.15"	3/4" NPT	69.6
B 250U-55	9.05"	6.69"	0.83"	3.17"	3.15"	3/4" NPT	79.5	9.65"	7.09"	0.9"	3.17"	3.15"	3/4" NPT	70.7
B 250U-65	12.6"	8.27"	1.06"	3.84"	3.15"	1" NPT	97.2	12.6"	8.66"	1.34"	3.84"	3.15"	1" NPT	75.1
B 250U-75	12.6"	8.27"	1.06"	3.84"	3.15"	1" NPT	97.2	12.6"	8.66"	1.34"	3.84"	3.15"	1" NPT	79.5
B 250U-90	12.6"	8.27"	1.06"	4"	3.15"	1" NPT	101.6	12.6"	8.66"	1.34"	4"	3.15"	1" NPT	79.5



How to read the pump code



Data is for reference only and subject to change without notice.



SIMPLIFIED FLUID HANDLING

FPZ, Inc
150 N. Progress Drive,
Saukville WI 53080, U.S.A.

Tel +1 262 268-0180
usa@fpz.com
www.fpzusa.com