

# Metering pumps Model SD

Doseuro models SD are used in the most severe duty applications. Hydraulic Diaphragm pumps are the best solution when:

PUMPED LIQUID CONTAINS SMALL AMOUNTS OF SUSPENDED SOLID

DIAPHRAGM RUPTURE DETECTOR IS REQUIRED

DOSED MEDIUM IS TOXIC, CORROSIVE, HAZARDOUS

LEAKAGE IS NOT ACCEPTABLE

HIGH PRESSURE IS NOT REQUIRED



## Applications

Injection of chemicals as coagulant, acids, polymers, oxygen scavenger, amine and much more.

Commonly used in the following applications:

- Water treatment
- Paper industry
- Chemical industry
- Food industry
- Cooling towers
- Power plants

## Features

- Built-in safety valve is installed in the hydraulic circuit, in order to protect the diaphragm against over pressure.
- Diaphragm rupture detection system that can be via pressure gauge, pressure switch or pressure transmitter.
- PTFE diaphragm.
- Simplex and multi-head versions are available.
- NPT valve connections are standard. BSP or other connections are available upon request.
- Cathaphoresis painting for gearbox
- Endless screw worm gear box supported by bearings and fully lubricated in an oil bath.
- Fitted as standard with high quality 4 pole electric motors that conform to UL;CSA;UNEL-MEC specifications, and range from 1/4 – 1 HP. Standard 3 phase voltages are 208-230/460V -60Hz. Standard 1 phase voltages are 115/208-230V-60Hz. Motors are available to meet a wide range of alternative specifications including: IEEE841, IEEE45, Explosion proof; different voltages, frequencies, higher insulation standards and more.
- Stroke adjustment can be made with the pump at rest or in operation and it can be manual or an automatic actuator can be driven by a 4-20 mA; different BUS; pneumatically.
- Components in wetted areas are available in a wide range of materials suitable for chemical injection applications.

## General specifications

Pump model	Reducer ratio	SPM	Capacity (gph)	Max pressure (PSIg)				Connection	Nominal diaphragm Ø (inch)
				Metal		Plastic			
				1/4 HP	1/3 HP	1/4 HP	1/3 HP		
SD125U-8	F	70	0.48					1/2" NPT male	2"
	C	116	0.76	196		160			
	B	139	0.95						
SD125U-12	I	42	0.85					1/2" NPT male	2"
	F	70	1.43	196		160			
	C	116	2.35						
SD125U-18	B	139	2.85					1/2" NPT male	2"
	I	42	2.09						
	F	70	3.49	196		160			
SD125U-25	C	116	5.71					1/2" NPT male	2" 3/4
	B	139	6.97						
	I	42	3.99						
SD125U-30	F	70	6.66					1/2" NPT male	2" 3/4
	C	116	10.78	196		160			
	B	139	13.31						
SD125U-40	I	42	5.71					1/2" NPT male	3 1/2"
	F	70	9.51	131	196				
	C	116	15.53						
SD125U-40	B	139	19.02					1/2" NPT male	3 1/2"
	I	42	10.30						
	F	70	17.17	73	123	73	123		
SD125U-40	C	116	28.21					1/2" NPT male	3 1/2"
	B	139	34.24						

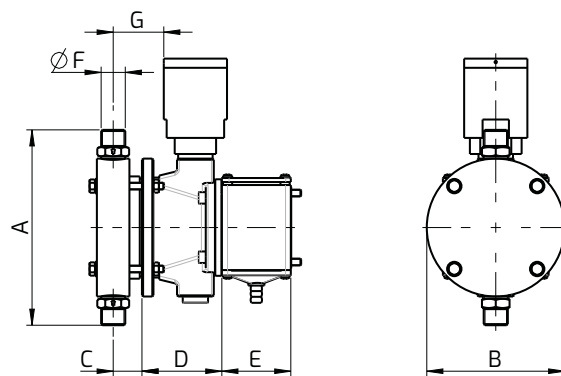
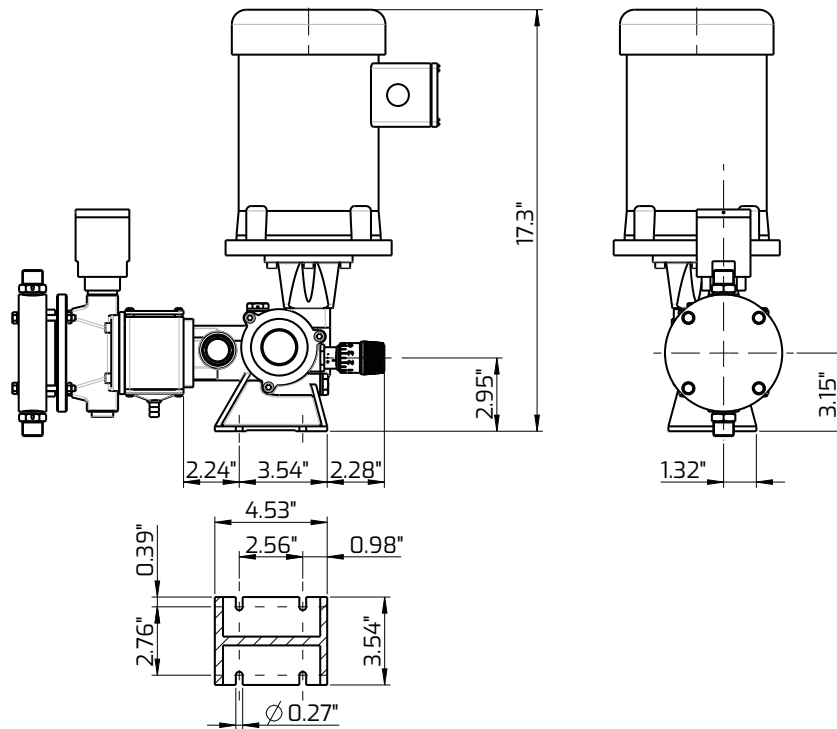
Pump model	Reducer ratio	SPM	Capacity (gph)	Max pressure (PSIg)				Connection	Nominal diaphragm Ø (inch)
				Metal		Plastic			
				1/4 HP	1/3 HP	1/4 HP	1/3 HP		
SD175U-8	F	84	0.82						
	C	116	1.11	203		160	1/2" NPT male	2"	
	B	144	1.39						
SD175U-12	F	84	2.41						
	C	116	3.28	203		160	1/2" NPT male	2"	
	B	144	4.12						
SD175U-18	F	84	5.71						
	C	116	7.61	203		160	1/2" NPT male	2 3/4"	
	B	144	10.14						
SD175U-25	F	84	11.41						
	C	116	15.53	203		160	1/2" NPT male	2 3/4"	
	B	144	19.34						
SD175U-30	F	84	16.17						
	C	116	21.87	203		160	1/2" NPT male	2 3/4"	
	B	144	27.90						
SD175U-40	F	84	29.16						
	C	116	39.94	131	189	160	1/2" NPT male	3 1/2"	
	B	144	50.09						
SD175U-50	F	84	45.65						
	C	116	62.45	73	101	73	101	3/4" NPT male	4 3/4"
	B	144	78.30						
SD175U-55	F	84	55.16						
	C	116	75.45	58	101	58	101	3/4" NPT male	4 3/4"
	B	144	94.78						
SD175U-65	F	84	77.03						
	C	116	105.56	44	73	44	73	3/4" NPT male	4 3/4"
	B	144	132.51						

Pump model	Reducer ratio	SPM	Capacity (gph)	Max pressure (PSI <sub>g</sub> )				Connection	Nominal diaphragm Ø (inch)
				Metal		Plastic			
				¾ HP	1 HP	¾ HP	1 HP		
SD250U-40	F	67	33.29						
	C	116	57.06	104		102		¾" NPT male 4 ¾"	
	B	134	66.57						
SD250U-50	F	67	52.31						
	C	116	89.29	104		102		¾" NPT male 4 ¾"	
	B	134	104.61						
SD250U-55	F	67	63.40						
	C	116	108.31	104		102		¾" NPT male 4 ¾"	
	B	134	126.80						
SD250U-65	F	67	88.13						
	C	116	150.90	86		86		1" NPT male 6 1/3"	
	B	134	176.26						
SD250U-75	F	67	117.61						
	C	116	201.62	62	83	62	83	1" NPT male 6 1/3"	
	B	134	235.22						
SD250U-90	F	67	169.28						
	C	116	290.06	45	58	45	58	1" NPT male 6 1/3"	
	B	134	338.56						

Wetted parts code for standard materials

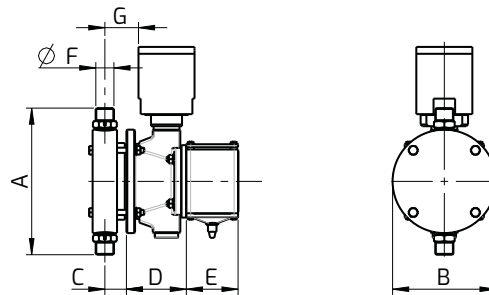
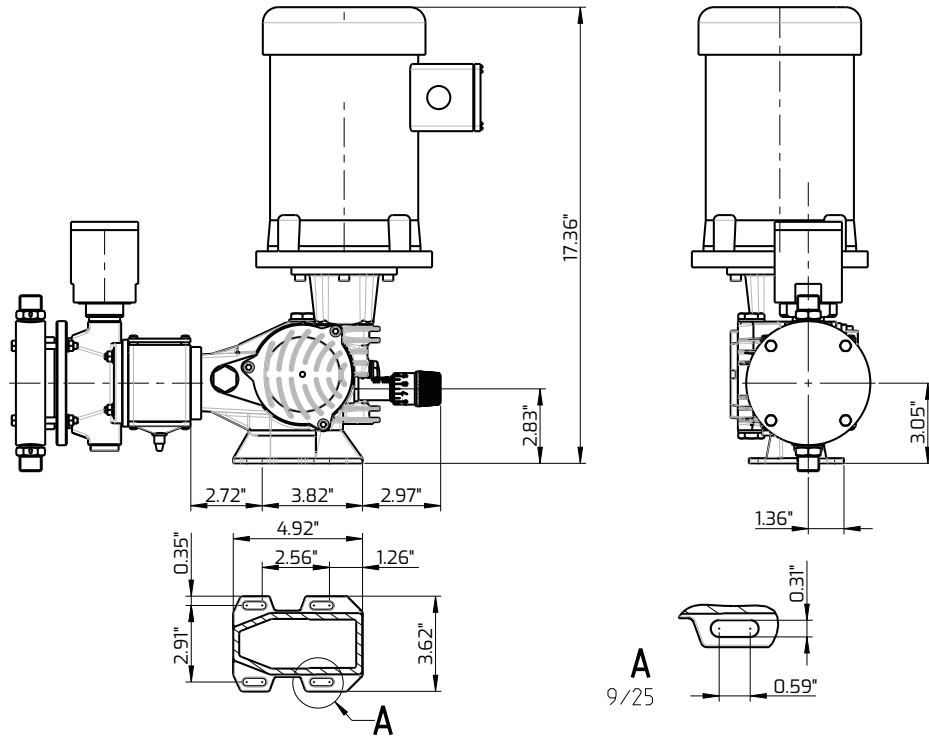
Standard construction materials (wetted parts only)					
Material codes	Pump head	Diaphragm	Valve ball	Valve seat	Valve gasket
05	S.S.316L	PTFE	S.S.316L	S.S.316L	FPM
03	PVC	PTFE	Pyrex	PVC	FPM
07	PP	PTFE	Pyrex	PP	FPM
32	PVDF	PTFE	Pyrex	PVDF	FPM

SD125U



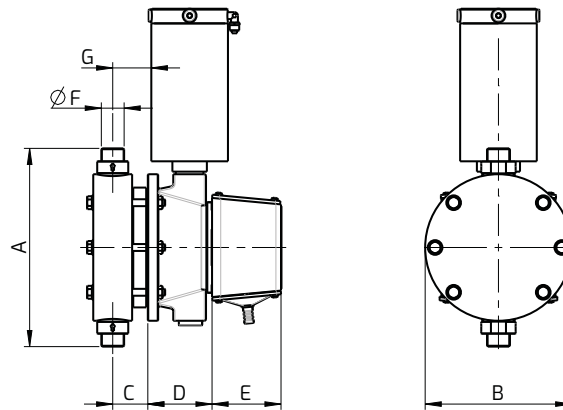
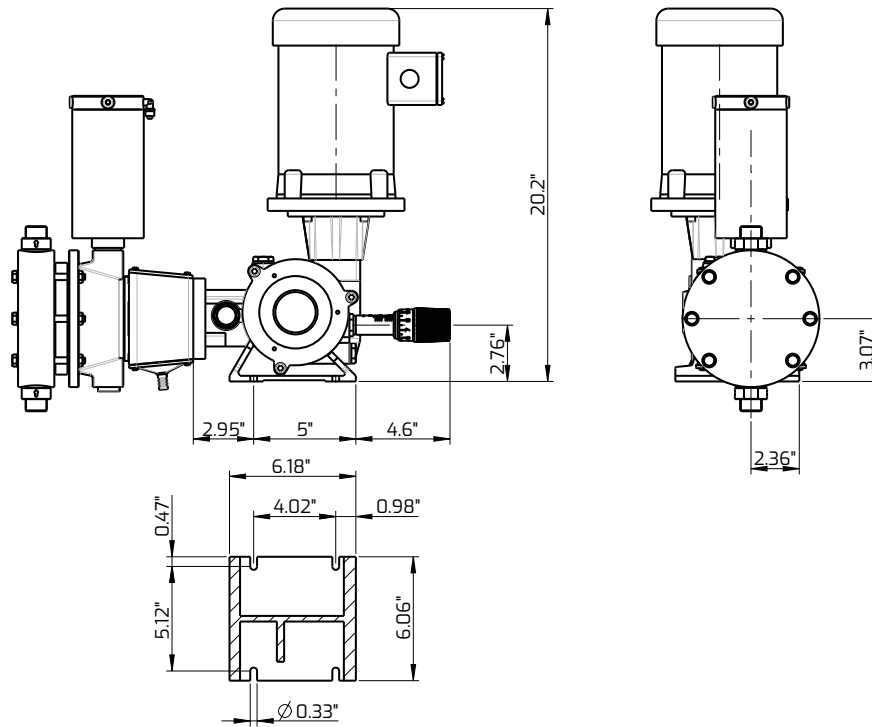
Pump model	Stainless Steel Configuration								Plastic Configuration							
	A	B	C	D	E	G	$\varnothing F$	lb	A	B	C	D	E	G	$\varnothing F$	lb
SD 125U-08	6.14"	3.94"	1.22"	2.74"	2.36"	1.97"	1/2" NPT	32.3	7"	4.33"	1.38"	2.74"	2.36"	2.13"	1/2" NPT	29
SD 125U-12	6.14"	3.94"	1.22"	2.74"	2.36"	1.97"	1/2" NPT	32.3	7"	4.33"	1.38"	2.74"	2.36"	2.13"	1/2" NPT	29
SD 125U-18	6.14"	3.94"	1.22"	2.74"	2.36"	1.97"	1/2" NPT	32.3	7"	4.33"	1.38"	2.74"	2.36"	2.13"	1/2" NPT	29
SD 125U-25	6.69"	4.72"	1.22"	2.74"	2.36"	1.97"	1/2" NPT	34.6	9.01"	5.12"	1.38"	2.74"	2.36"	2.13"	1/2" NPT	31.2
SD 125U-30	6.69"	4.72"	1.22"	2.74"	2.36"	1.85"	1/2" NPT	35.7	9.01"	5.12"	1.38"	2.74"	2.36"	2.16"	1/2" NPT	32.3
SD 125U-40	7.09"	5.12"	1.38"	2.74"	2.36"	1.85"	1/2" NPT	39	9.49"	5.51"	1.61"	2.74"	2.36"	2.16"	1/2" NPT	32.3

SD175U

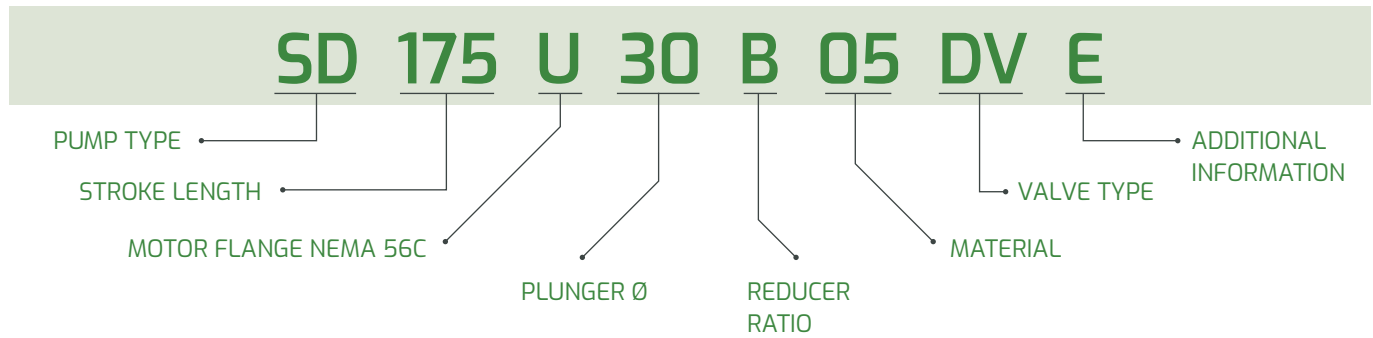


Pump model	Stainless Steel Configuration								Plastic Configuration							
	A	B	C	D	E	G	øF	lb	A	B	C	D	E	G	øF	lb
SD 175U-08	6.14"	3.94"	1.22"	2.74"	2.36"	1.97"	1/2" NPT	35.6	7"	4.33"	1.38"	2.74"	2.36"	2.13"	1/2" NPT	34.6
SD 175U-12	6.14"	3.94"	1.22"	2.74"	2.36"	1.97"	1/2" NPT	35.6	7"	4.33"	1.38"	2.74"	2.36"	2.13"	1/2" NPT	34.6
SD 175U-18	6.93"	4.72"	1.22"	2.74"	2.36"	1.97"	1/2" NPT	37.8	7.79"	5.12"	1.38"	2.74"	2.36"	2.13"	1/2" NPT	34.6
SD 175U-25	6.93"	4.72"	1.22"	2.74"	2.36"	1.97"	1/2" NPT	37.8	7.79"	5.12"	1.38"	2.74"	2.36"	2.13"	1/2" NPT	34.6
SD 175U-30	6.93"	4.72"	1.22"	2.74"	2.36"	1.77"	1/2" NPT	41.2	9.13"	5.12"	1.38"	2.74"	2.36"	2.11"	1/2" NPT	35.6
SD 175U-40	7.09"	5.12"	1.26"	2.74"	2.36"	1.79"	1/2" NPT	44.2	9.49"	5.51"	1.61"	2.74"	2.36"	2.16"	1/2" NPT	36.8
SD 175U-50	9.05"	6.69"	1.65"	2.93"	3.15"	1.89"	3/4" NPT	44.5	9.64"	7.09"	1.73"	2.93"	3.15"	1.85"	3/4" NPT	45.6
SD 175U-55	9.05"	6.69"	1.65"	3.17"	3.15"	1.77"	3/4" NPT	44.4	9.64"	7.09"	1.73"	3.17"	3.15"	1.75"	3/4" NPT	45.6
SD 175U-65	9.05"	6.69"	1.65"	3.33"	3.15"	2.16"	3/4" NPT	55.5	9.64"	7.09"	1.73"	3.33"	3.15"	2.24"	3/4" NPT	45.6

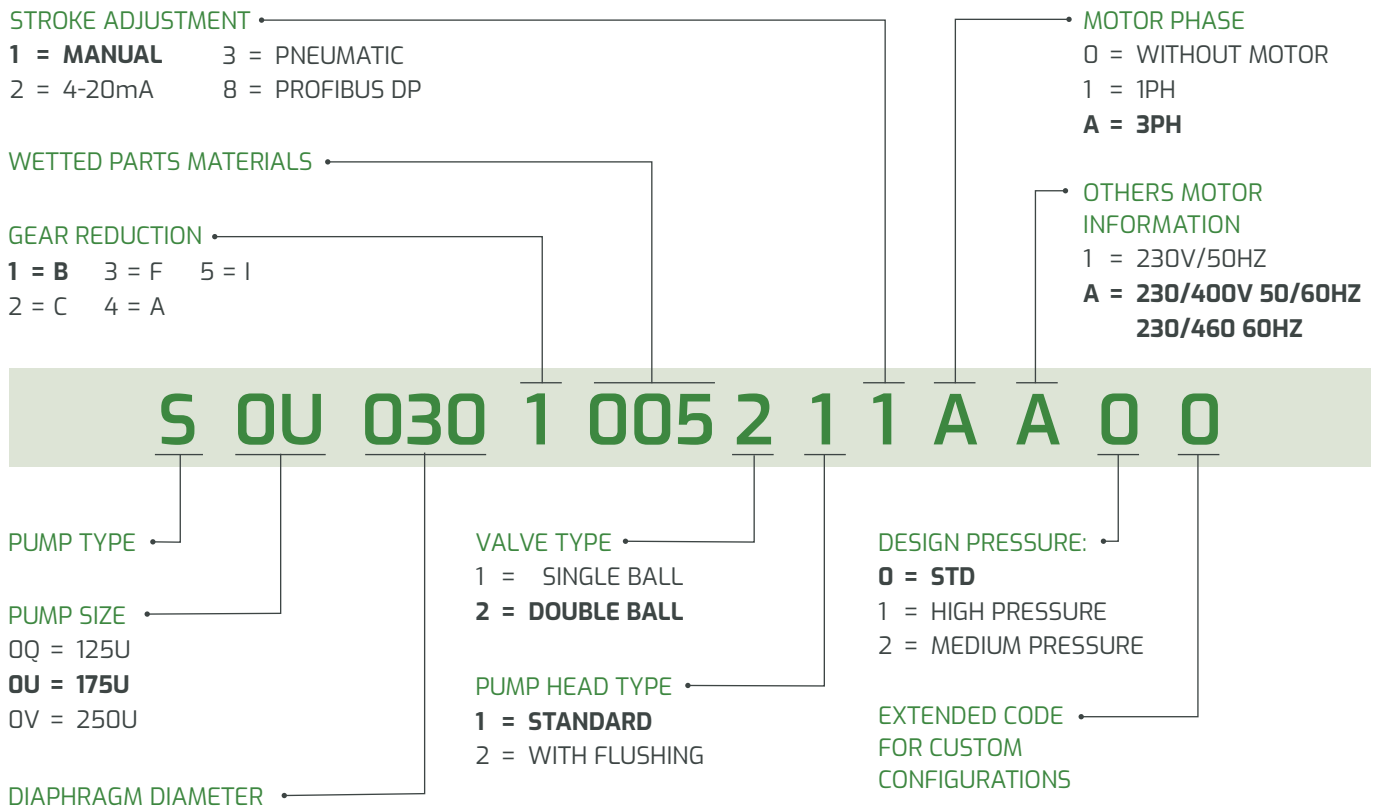
SD250U



Pump model	Stainless Steel Configuration								Plastic Configuration							
	A	B	C	D	E	G	øF	lb	A	B	C	D	E	G	øF	lb
SD 250U-08	9.13"	6.69"	1.65"	2.93"	3.15"	1.77"	¾" NPT	85	9.65"	7.08"	1.77"	2.93"	3.15"	1.89"	¾" NPT	72.9
SD 250U-12	9.13"	6.69"	1.65"	2.93"	3.15"	1.77"	¾" NPT	86.1	9.65"	7.08"	1.73"	2.93"	3.15"	1.85"	¾" NPT	75.1
SD 250U-18	9.13"	6.69"	1.65"	3.17"	3.15"	1.77"	¾" NPT	88.3	9.65"	7.08"	1.73"	3.17"	3.15"	1.85"	¾" NPT	77.3
SD 250U-25	12.68"	8.26"	1.85"	3.83"	3.15"	2.68"	1" NPT	106	12.6"	8.66"	2.13"	3.84"	3.15"	2.95"	1" NPT	86.1
SD 250U-30	12.68"	8.26"	1.85"	3.83"	3.15"	2.68"	1" NPT	107	12.6"	8.66"	2.13"	3.84"	3.15"	2.95"	1" NPT	86.1
SD 250U-40	12.68"	8.26"	1.85"	4"	3.15"	2.68"	1" NPT	111.5	12.6"	8.66"	2.13"	4"	3.15"	2.95"	1" NPT	90.5



## How to read the pump code



Data is for reference only and subject to change without notice.



**SIMPLIFIED FLUID HANDLING**

**FPZ, Inc**  
 150 N. Progress Drive,  
 Saukville WI 53080, U.S.A.

Tel +1 262 268-0180  
 usa@fpz.com  
[www.fpzusa.com](http://www.fpzusa.com)