



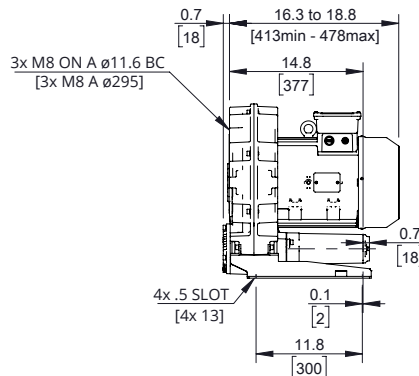
**e07-MD**

**Evolution Series  
Technical Characteristics**

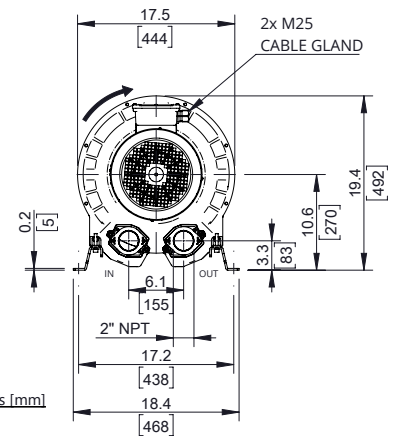
- Premium efficient motor
- High efficiency impeller
- Mountable in any position
- Maintenance free operation
- TEFC (IP55)

**Optional Features**

- Anodized aluminum components for corrosion resistance
- Increased sealing



Dimensions in inches [mm]



**Technical Specifications**

Model No.	HP	Hz	Open Flow (cfm)	Max Pressure in. H <sub>2</sub> O	Max Vacuum in. H <sub>2</sub> O	Efficiency	Voltage	FLA	Starting Current Ratio <sup>1</sup>	dB(A) <sup>2</sup>	Weight (lb)
SCL e07-MD-5.5-3	5.5	60	147	140	170	88.5%	208-230/460	14.6-15.1/7.55	11.1	77	130.1
		50	123	200	180	88.1%	200/400	17.7/8.86		72	
SCL e07-MD-5.5-3-575	5.5	60	147	140	170	88.5%	575	5.31	10.9	77	130.1
SCL e07-MD-7.5-3	7.5	60	147	220	180	89.5%	208-230/460	19.8-19.5/9.75	13.7	78	154.3
		50	123	260	—	89.2%	200/400	22.2/11.1		72	
SCL e07-MD-7.5-3-575	7.5	60	147	220	180	89.5%	575	7.21	13.5	77	154.3
SCL e07-MD-10-3	10	60	147	260	—	90.2%	208-230/460	26.1-25 / 12.5	13	77	171.2
		50	123	—	—	90.1%	200/400	28.6/14.3		72	
SCL e07-MD-10-3-575	10	60	147	260	—	90.2%	575	10	12.9	77	171.3

Motors include normally closed thermal protector, 1.15 S.F. (60 Hz), tropicalized windings, Class F (B) insulation, and are suitable for use with a VFD (Contact FPZ for pneumatic and speed limits when used with a VFD).

<sup>1</sup>Starting current ratio x fla = starting current

<sup>2</sup>Noise level measured at a distance of 1 m with inlet and outlet ports piped in accordance to ISO 3744

Data is subject to change without notice.

**Recommended Accessories**

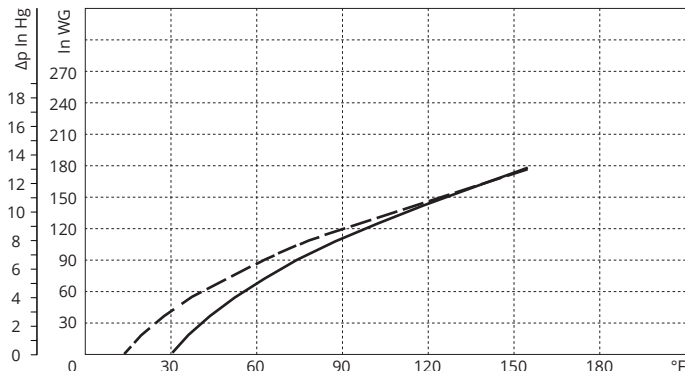
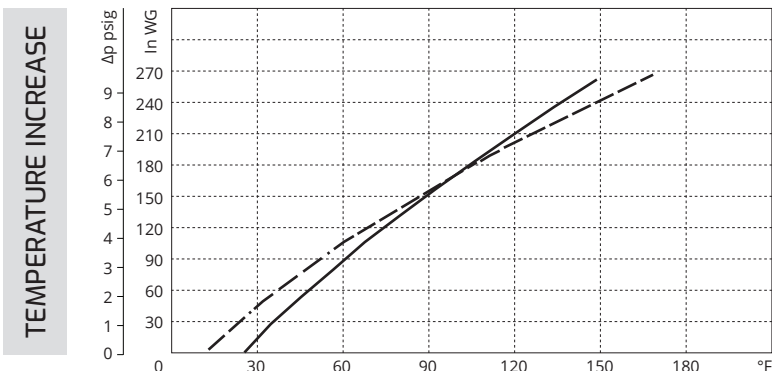
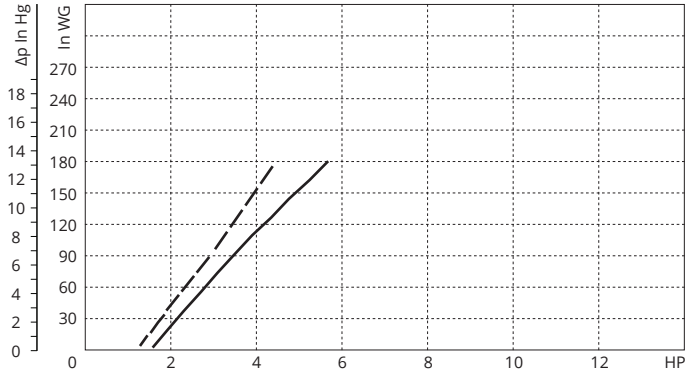
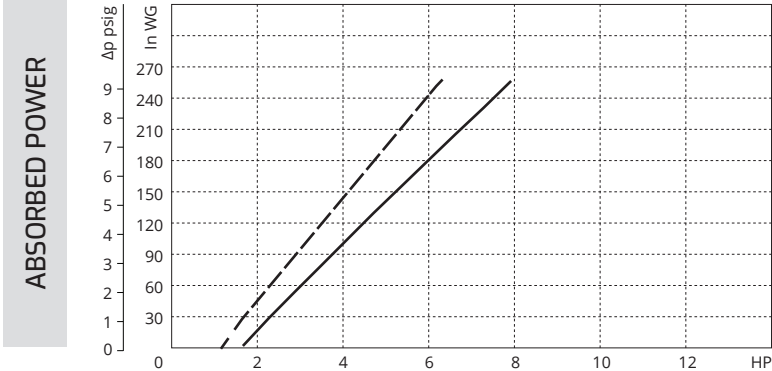
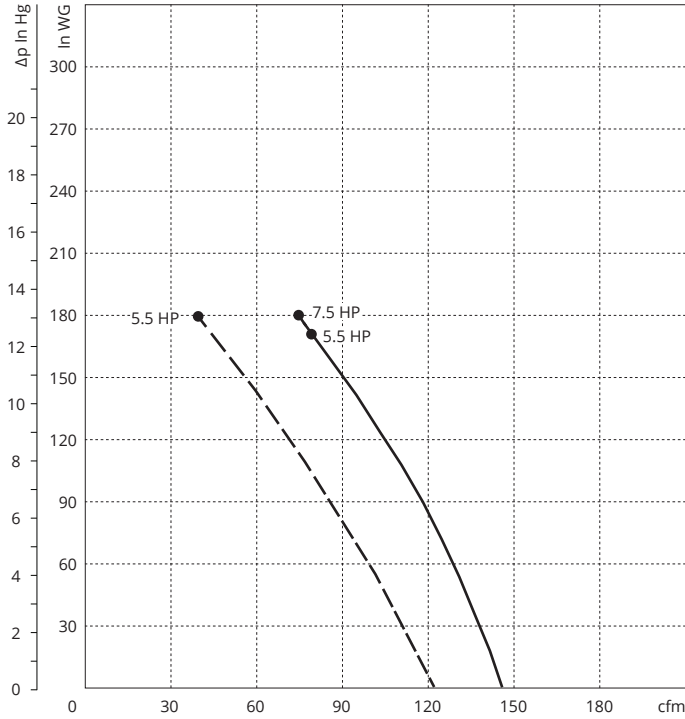
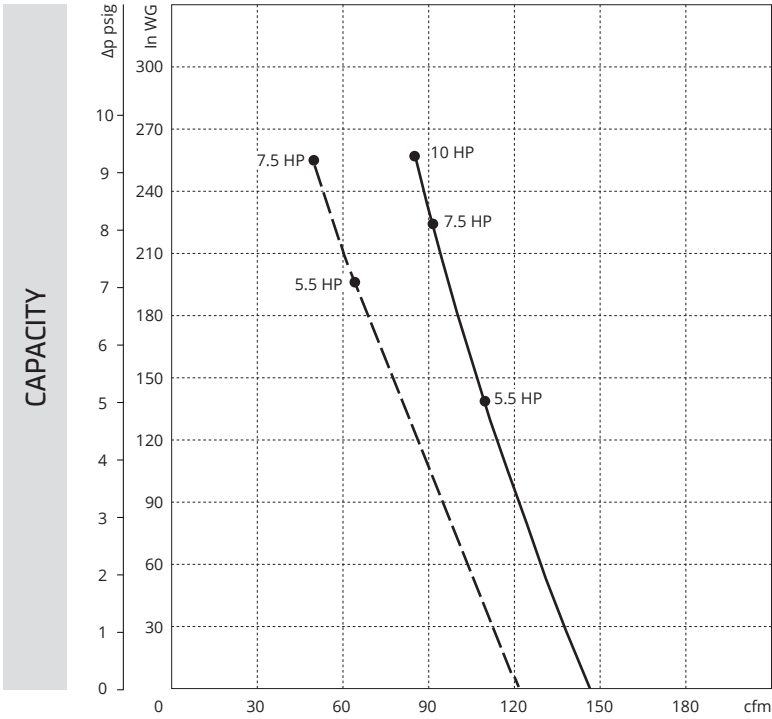
Description	Pressure Safety Valve	Vacuum Safety Valve	Pressure Filter	Vacuum Filter	Check Valve
Part Number	VRL6 (5.5 hp - 7.5hp) <sup>3</sup> VRL6-HP (10 hp) <sup>3</sup>	VRL6	FS-231P-200	CSL-851-200HC	CV20

<sup>3</sup>Valve selections are based on 60 Hz and standard air. Valves are supplied uncalibrated. Safety valves are easy to calibrate, but can be ordered with factory calibration.



PRESSURE

VACUUM



Curves refer to air at 68°F temperature and 29.92 In Hg atmospheric pressure (abs) measured at inlet port. Values for flow, power consumption and temperature rise: +/-10% tolerance. Data subject to change without notice.

**KEY**

- 50 Hz
- 60 Hz