



SIMPLIFIED FLUID HANDLING



www.secohusa.com



About SECOH - FPZ

SECOH has been manufacturing oilless diaphragm linear pumps since its foundation in 1966. Secoh products are backed by experienced Research and Development and Product engineers to help you find or develop a product to meet your specific pneumatic requirements. We are especially proud of our lasting commitment to quality as each product that we manufacture is thoroughly tested to assure that our customers receive high quality products.

FPZ manufactures regenerative blowers and is Secoh's North American partner for linear compressors. FPZ provides local technical support and service and is backed by Secoh's manufacturing and technical expertise. Most models are stocked by FPZ in our Wisconsin facility.

Diaphragm Linear compressors

Secoh's worldwide reputation for quality and rugged construction of its products, has made Secoh diaphragm air compressors the technology of choice in harsh applications that require long life. Thanks to low internal pump temperatures, Secoh's diaphragm life has been extended resulting in longer pump life. JDK and EL series listed in the catalog are cUL listed for outdoor operation.



JDK -20-30-40



JDK - 60 - 80 - 100 - 120



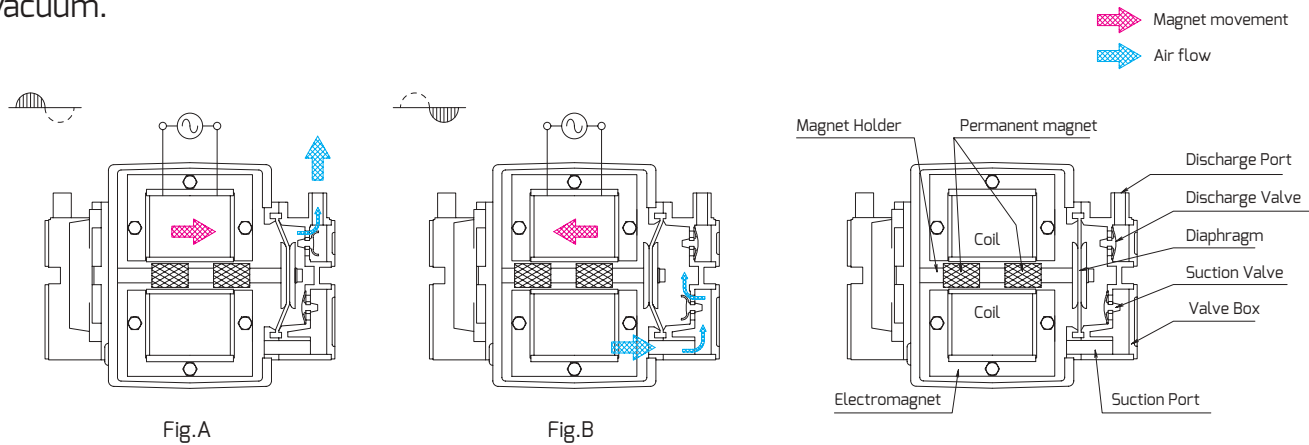
TKO



JDK with Alarm

Operating principle

The activated electromagnets put the magnet into oscillation movements. It moves first in the direction of the arrow in Fig. A and then in the direction of the arrow in Fig.B. The magnet, which moves back and forth between the electromagnets at the same frequency as that of the power supply changes the valve box volume, creating pressure or vacuum.



Advantages

SECOH diaphragm linear pumps have the following superior advantages.

- Completely Oil free
- Very little pulsation
- Compact and light construction
- Low maintenance
- Low vibration

Applications

Our oilless diaphragm linear pumps are used in a broad range of applications throughout the world. Typical applications for SECOH pumps include:

- Onsite wastewater treatment plant
- Blood cuff monitors
- Air mattresses
- Air sampling/monitoring
- Aquaculture aeration
- Liquid agitation
- Ink jet printers
- Vacuum tweezers
- Circulation therapy

Technical

- Rated pressure:** This is the recommended pressure to operate at to maximize pump life.
- Max Pressure:** It is recommended to not exceed the maximum pressure in continuous duty applications. Diaphragm life is reduced when operated above Max pressure.
- Air flow:** Air flow is measured at the rated pressure
- Power:** Input wattage at rated pressure

JDK-20-30-40



Technical Data

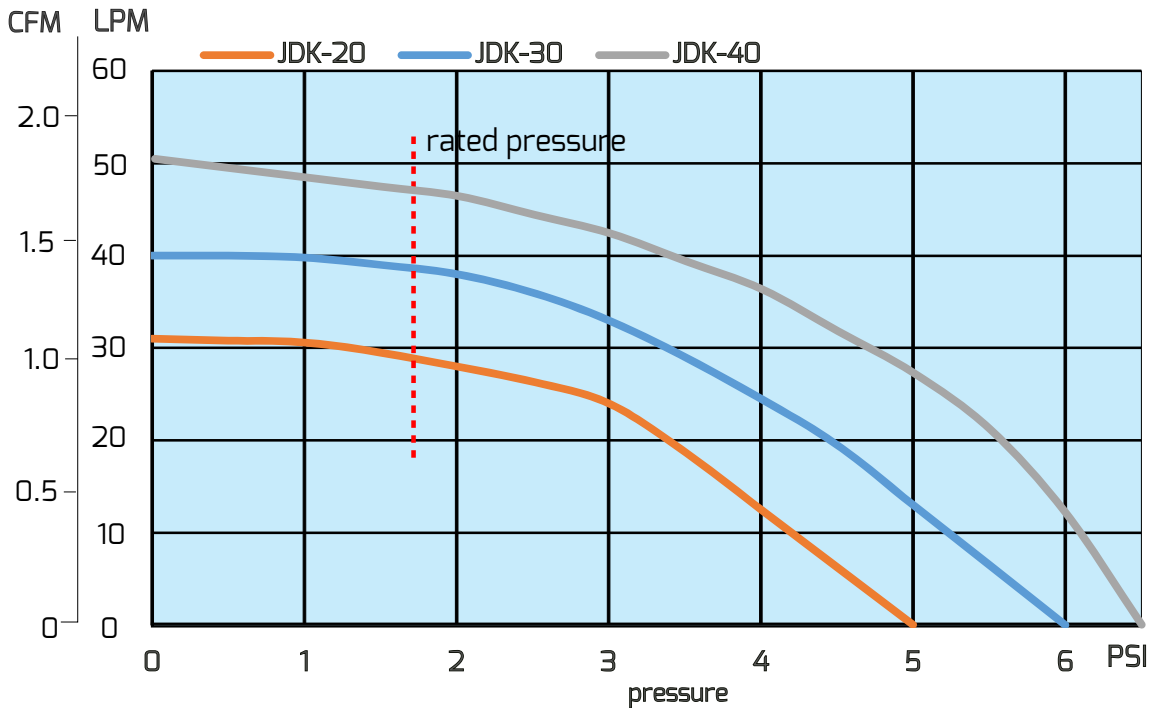
Model	Voltage AC	Frequency HZ	Outlet Diameter Inch / mm	Airflow*		Power* (Watts)	Sound dB(A)**	Rated Pressure (PSI)	Max Pressure (PSI)	Net Weight	
				CFM	LPM					Lbs	kg
JDK-20	110/115	50 /60	0.75 / 19	1.0	28	23	36	1.7	2.9	9.5	4.3
JDK-30	110/115	50 /60	0.75 / 19	1.3	38	35	38	1.7	2.9	9.5	4.3
JDK-40	110/115	50 /60	0.75 / 19	1.6	46	43	40	1.7	2.9	9.5	4.3

* Airflow and power measured at rated pressure

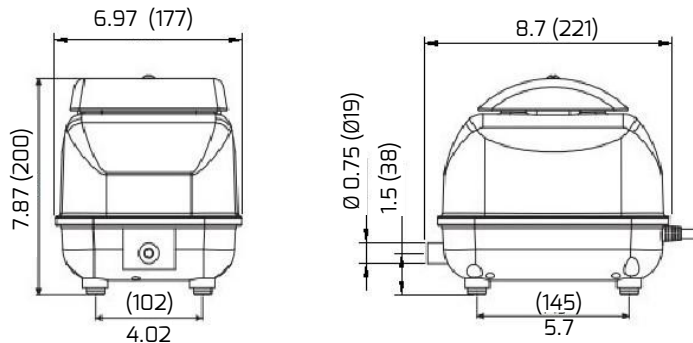
Specifications are subject to change without notice

**Sound measured at 1 M

Performance Curves



Dimensions Inches (mm)



Technical Data

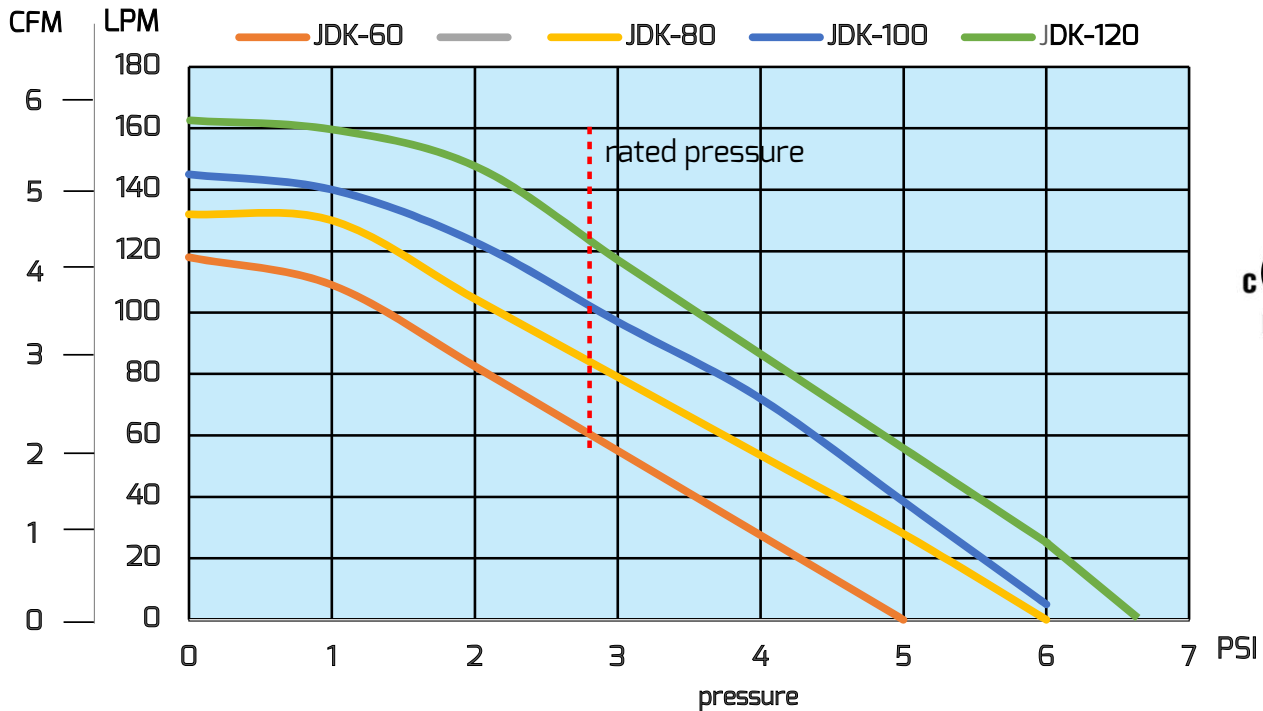
Model	Voltage AC	Frequency HZ	Outlet Diameter Inch / mm	Airflow*		Power* (Watts)	Sound dB(A)**	Rated Pressure (PSI)	Max Pressure (PSI)	Net Weight	
				CFM	LPM					Lbs	kg
JDK-60	120	60	0.75 / 19	2.3	65	45	36	2.9	3.6	14.3	6.5
JDK-80	120	60	0.75 / 19	3.0	85	65	38	2.9	3.6	14.3	6.5
JDK-100	120	60	0.75 / 19	3.5	100	80	44	2.9	3.6	14.3	6.5
JDK-120	120	60	0.75 / 19	4.2	120	100	46	2.9	3.6	14.3	6.5

* Airflow and power measured at rated pressure

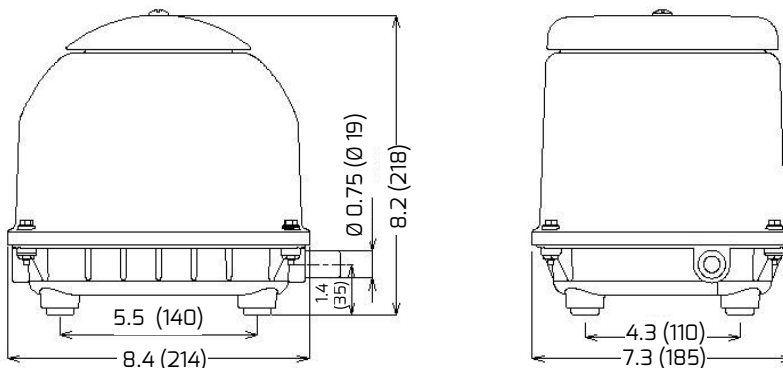
Specifications are subject to change without notice

**Sound measured at 1 M

Performance Curves



Dimensions Inches (mm)



EL-200W



Technical Data

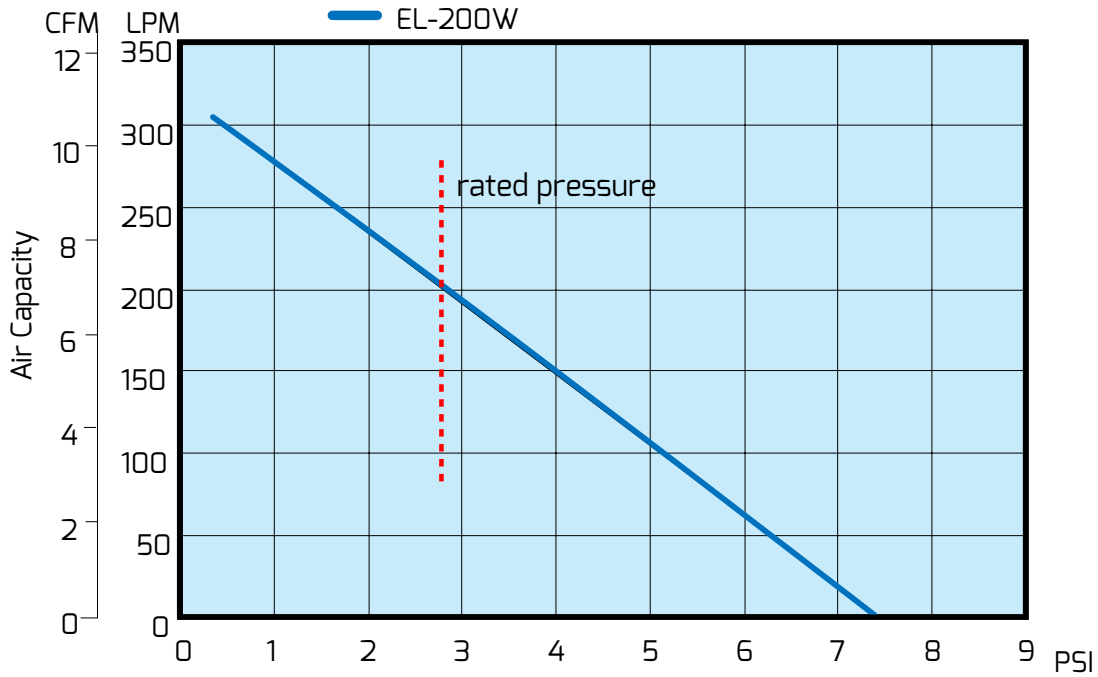
Model	Voltage AC	Frequency HZ	Outlet Diameter Inch / mm	Airflow*		Power* (Watts)	Sound dB(A)**	Rated Pressure (PSI)	Max Pressure (PSI)	Net Weight	
				CFM	LPM					Lbs	kg
EL-200W	115	60	1.06 / 27	7.1	200	210	47	2.8	3.6	35.3	16

* Airflow and power measured at rated pressure

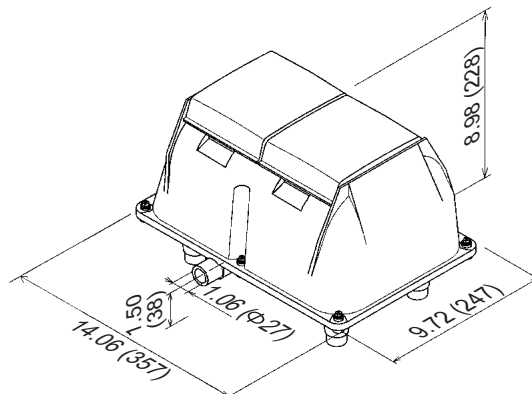
**Sound measured at 1M

Specifications are subject to change without notice

Performance Curves



Dimensions Inches (mm)



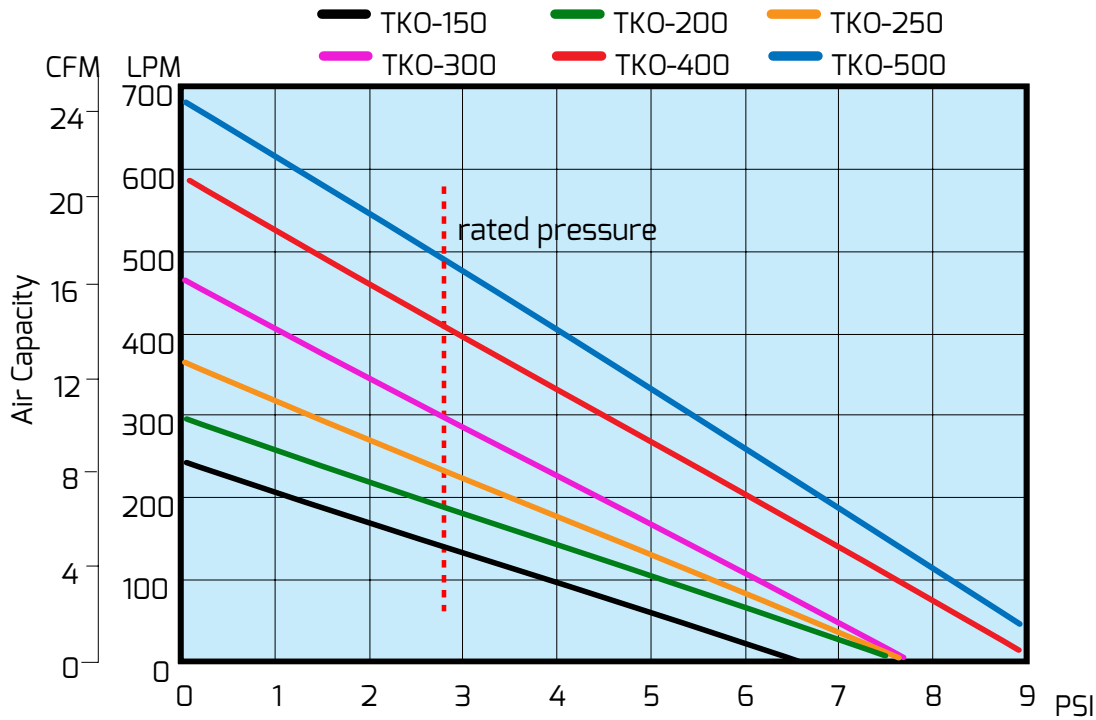
Technical Data

Model	Voltage AC	Frequency HZ	Outlet Diameter Inch / mm	Airflow*		Power* (Watts)	Sound dB(A)**	Rated Pressure (PSI)	Max Pressure (PSI)	Net Weight	
				CFM	LPM					Lbs	kg
TKO-150	120	60	1.0 / 26	5.3	150	125	44	2.9	3.6	22	10
TKO-200	120	60	1.0 / 26	7.1	200	185	46	2.9	3.6	22	10
TKO-250	120	60	1.0 / 26	8.8	250	250	48	2.9	3.6	22	10
TKO-300	120	60	1.06 / 27	10.6	300	250	52	2.9	3.6	40	18
TKO-400	120	60	1.06 / 27	14.1	400	380	54	2.9	3.6	40	18
TKO-500	120	60	1.06 / 27	17.7	500	500	56	2.9	3.6	40	18

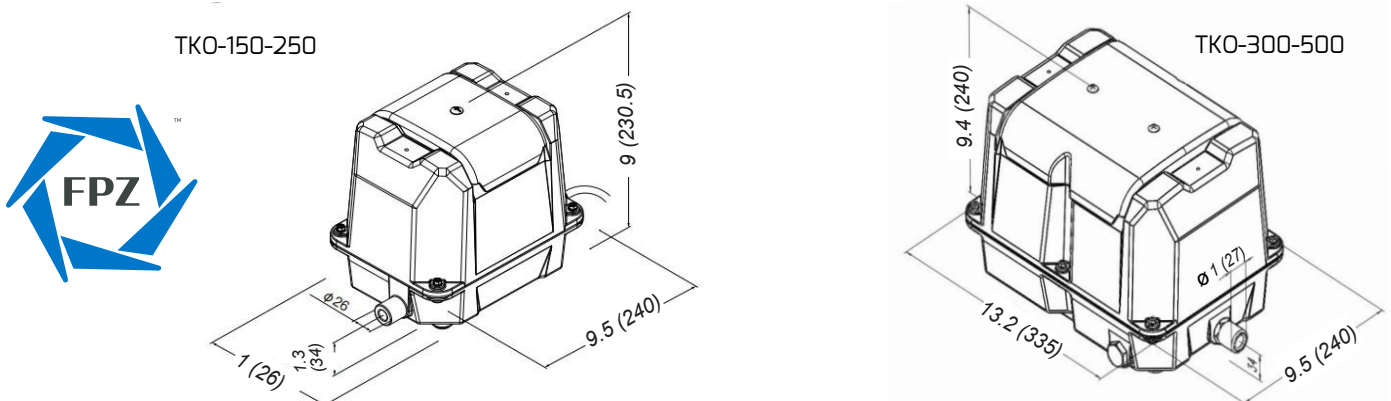
* Airflow and power measured at rated pressure

Specifications are subject to change without notice

Performance Curves



Dimensions Inches (mm)





FPZ

*Barcelona
España*

HEADQUARTERS

FPZ S.p.A.
*Concorezzo (MB)
Italy
info@fpz.com*

FPZ France S.a.r.l.

*St. Priest
France
france@fpz.com*

FPZ, Inc

*Saukville, Wisconsin
USA
usa@fpz.com*

FPZ México/LA

*México
mexico@fpz.com*

FPZ UK

*Andover, Hampshire
United Kingdom
uk@fpz.com*

FPZ Austria & Germany

*Krems
Austria
vertrieb@fpz.com*