

Metering pumps Model FM

The Doseuro FM model is the most cost-effective version of mechanical diaphragm dosing pumps. They are the best solution when:

- PUMPED LIQUID CONTAINS TRACE AMOUNTS OF SUSPENDED SOLIDS
- PUMPED LIQUID IS HAZARDOUS
- NO LEAKAGE IS ALLOWED
- HIGH PRESSURE IS NOT REQUIRED



Features

- NPT-m valve connections.
- Reinforced PP gearbox casing.
- Continuous screw worm gearbox, supported by bearings and fully grease-lubricated for optimal performance.
- Fitted as standard with 1/8 HP high quality 4 pole electric motor that conform to; UNELMEC specifications. Standard 3 phase voltages are 220-240V(Δ) 380-415 (Y) 50Hz 220-280V(Δ) 380-480 (Y) 60Hz. Standard 1 phase voltage 230-50/60Hz. Motors available to meet a wide range of alternative specifications including: different voltages, frequencies, higher insulation standards and more.
- Manual Stroke adjustment can be made with the pump at rest or in operation.
- The wetted components are available in a variety of materials, all suitable for chemical injection applications.
- PTFE coated diaphragm.
- Installation kit included (for pumps with wetted parts made of PP or PVC).



Now available with RAPIDA electronic actuator.

Applications

Injection of chemicals such as coagulant, fertilizer, acids, polymers and much more.

Commonly used in the following applications:

- Fertigation
- Water treatment
- Food industry
- Cooling tower

General specifications

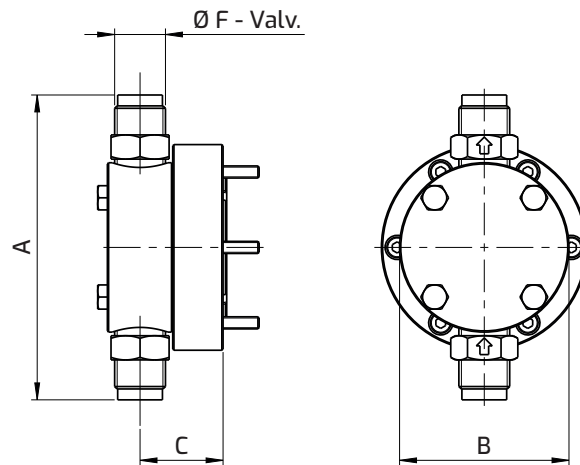
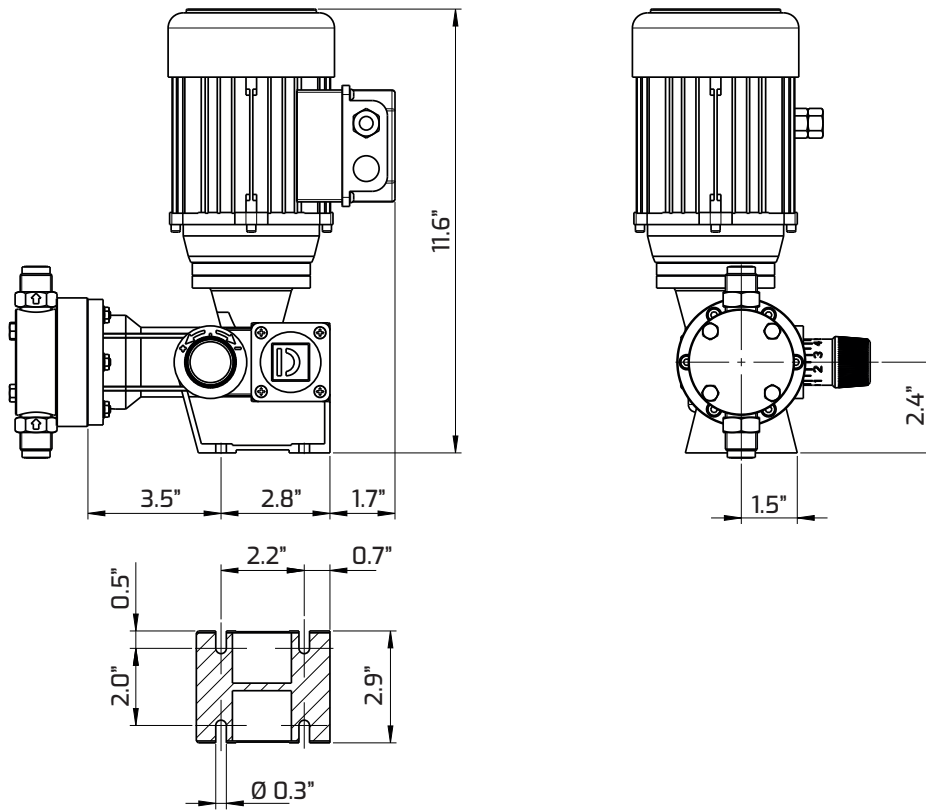
Pump model	Type	Reducer ratio (SPM)	Capacity (Gal/H)	Max pressure (Psig)	Connection	Motor power
		60 Hz	60 Hz			
FM050N-30	H	50	1,42	145	1/2" NPT male	1/8 HP
	F	70	2,22			
	D	98	3,01			
FM050N-50	H	50	5,39	73	1/2" NPT male	1/8 HP
	F	70	7,29			
	D	98	10,78			

Wetted parts code for standard materials

Standard construction materials (wetted parts only)					
Material codes	Pump head	Diaphragm	Valve ball	Valve seat	Valve gasket
41	S.S.316L	PTFE	S.S.316L	S.S.316L	FPM
43	PVC	PTFE	Pyrex	PVDF	FPM
20	PP	PTFE	Pyrex	PVDF	FPM
38	PVDF	PTFE	Pyrex	PVDF	FPM

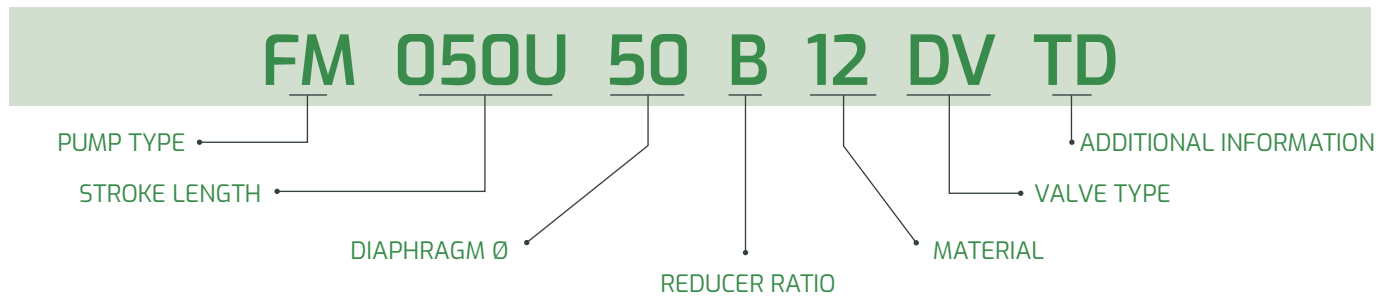


FM 050

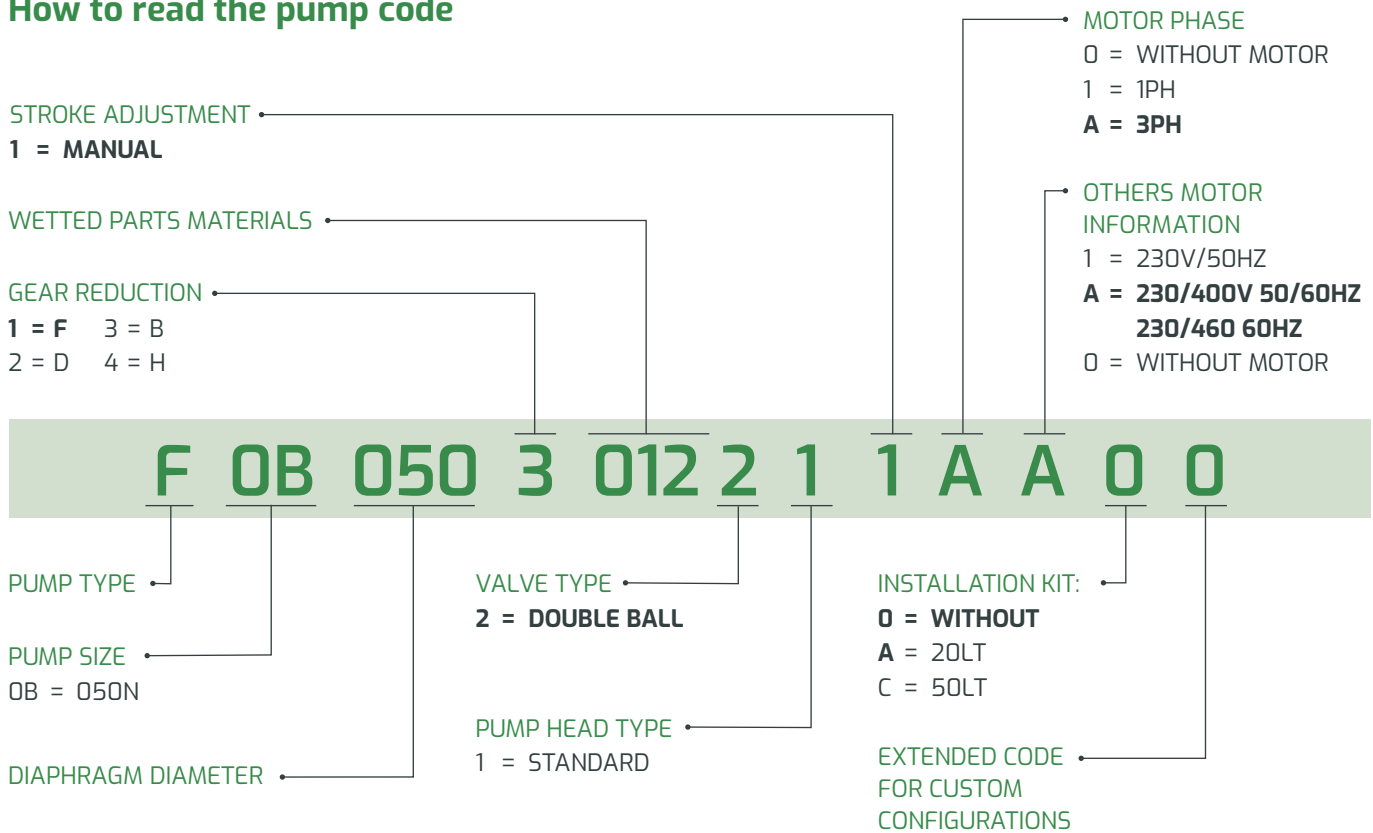


Pump model	Execution Stainless Steel					Execution Plastic				
	A	B	C	$\varnothing F$	Kg	A	B	C	$\varnothing F$	Kg
FM 050 - 30	6.6"	2.8"	1.3"	1/2" NPTm	5.5	7.6"	3.3"	1.3"	1/2" NPTm	5
FM 050 - 50	7.2"	3.3"	0.6"	1/2" NPTm	5.5	8.1"	3.5"	0.8"	1/2" NPTm	5





How to read the pump code



Wetted parts code for standard materials

Standard construction materials (wetted parts only)

Material codes	Pump head	Diaphragm	Valve ball	Valve seat	Valve gasket
11	S.S.316L	PTFE coated	S.S.316L	S.S.316L	FPM
12	PP	PTFE coated	Pyrex	PVDF	FPM
13	PVC	PTFE coated	Pyrex	PVDF	FPM
16	PVC	PTFE coated	S.S.316L	PVDF	FPM
23	PVDF	PTFE coated	Pyrex	PVDF	FPM

Data is for reference only and subject to change without notice

